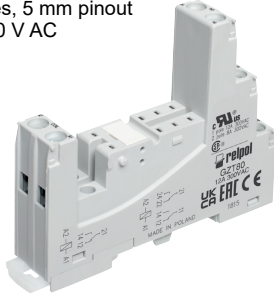


Sockets and accessories

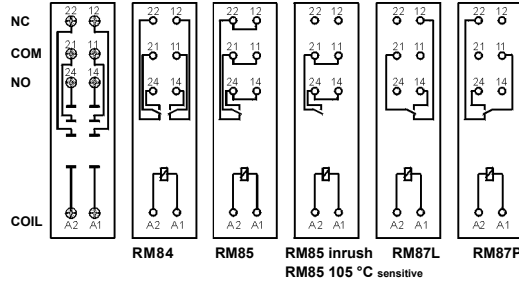
GZT80

For RM84, RM85, RM85 inrush, RM85 105 °C sensitive, RM87L, RM87L sensitive, RM87P, RM87P sensitive

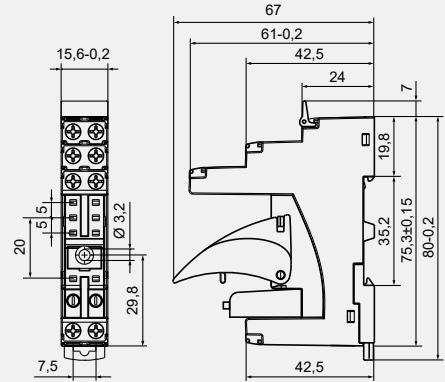
Screw terminals
Max. tightening moment for the terminal: 0,7 Nm
35 mm rail mount acc. to EN 60715
or on panel mounting
80 x 15,6 x 61(67) mm
Two poles, 5 mm pinout 12 A, 300 V AC



Connection diagrams ③



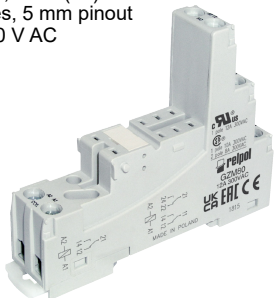
Dimensions



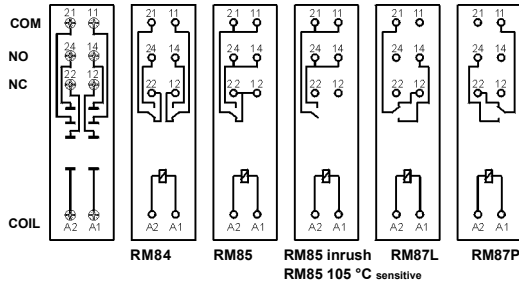
GZM80

For RM84, RM85, RM85 inrush, RM85 105 °C sensitive, RM87L, RM87L sensitive, RM87P, RM87P sensitive

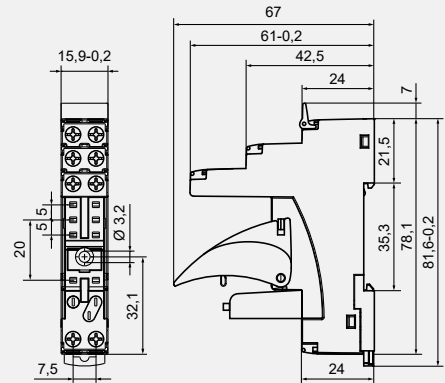
Screw terminals
Max. tightening moment for the terminal: 0,7 Nm
35 mm rail mount acc. to EN 60715
or on panel mounting
81,6 x 15,9 x 61(67) mm
Two poles, 5 mm pinout 12 A, 300 V AC



Connection diagrams ③



Dimensions



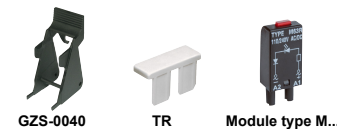
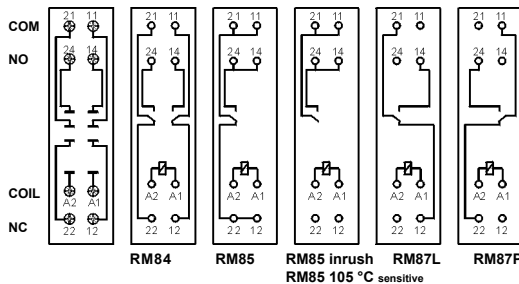
GZS80

For RM84, RM85, RM85 inrush, RM85 105 °C sensitive, RM87L, RM87L sensitive, RM87P, RM87P sensitive

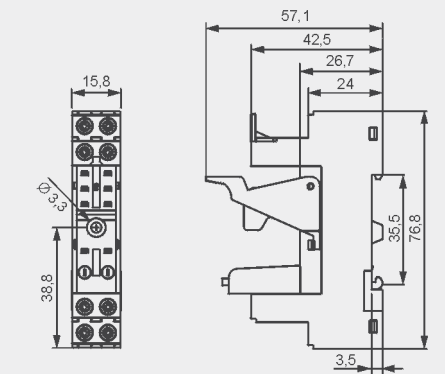
Screw terminals
Max. tightening moment for the terminal: 0,5 Nm
35 mm rail mount acc. to EN 60715
or on panel mounting
76,8 x 15,8 x 42,5(57,1) mm
Two poles, 5 mm pinout 10 A, 300 V AC



Connection diagrams ③



Dimensions



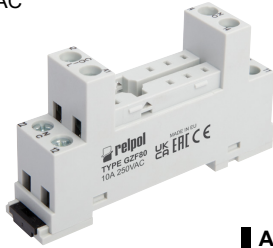
① Mounting and sub-assemblies of accessories in the socket; Signalling / protecting modules type M... - see www.repol.com.pl ② In the bracket the height of socket with retainer / retractor clip is shown. ③ For RM85..., RMP85: loads above 12 A (GZT80, GZM80, GZP80) or 10 A (GZS80, GZF80) require bridging pairs of terminals: 11 with 21, 12 with 22, 14 with 24 - see www.repol.com.pl

Sockets and accessories

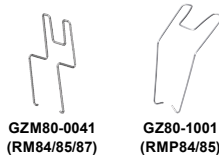
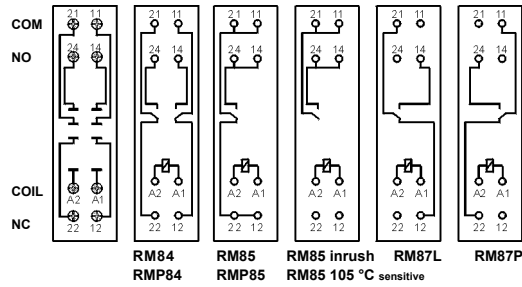
GZF80

For RM84, RM85, RM85 inrush, RM85 105 °C sensitive, RM87L, RM87L sensitive, RM87P, RM87P sensitive, RMP84, RMP85

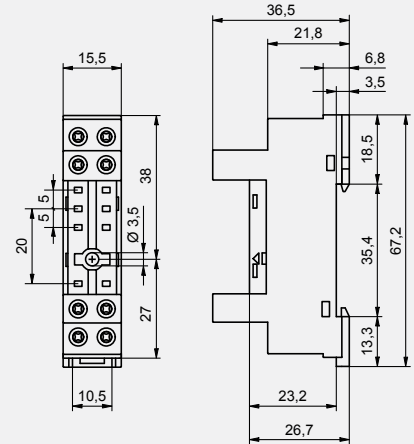
Screw terminals
Max. tightening moment for the terminal: 0,5 Nm
35 mm rail mount acc. to EN 60715 or on panel mounting
67,2 x 15,5 x 36,5 mm
Two poles, 5 mm pinout 10 A, 250 V AC



Connection diagrams



Dimensions



Accessories

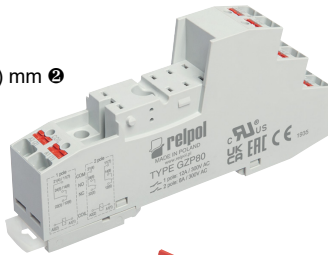
GZM80-0041 (RM84/85/87) GZ80-1001 (RMP84/85)

GZP80

For RM84, RM85, RM85 inrush, RM85 105 °C sensitive, RM87L, RM87L sensitive, RM87P, RM87P sensitive, RMP84, RMP85

Push-in terminals (flammability class V-0)
Max. cross section of the cables: 2 x 1,5 mm² (ferrules without insulation) 2 x 1 mm² (ferrules with insulation)
Stripping length: 8...10 mm

35 mm rail mount acc. to EN 60715 or on panel mounting
97 x 15,9 x 45,9(75,8) mm
5 mm pinout
One pole 12 A, 300 V AC
Two poles 8 A, 300 V AC



Module type M...

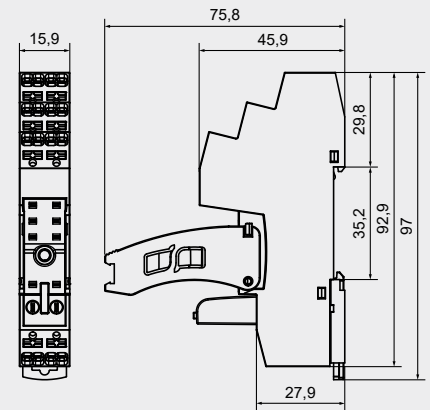


ZGP80-8

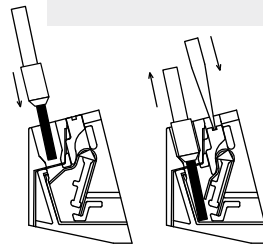


Accessories

Dimensions



Wire connection

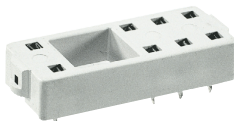


The drawings present inserting wire into the Push-in terminal and removing wire using the button releasing a clamp (assembly without tools).

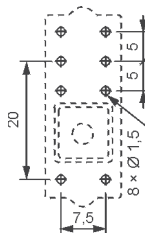
PW80

For RM84, RM85, RM85 inrush, RM85 105 °C sensitive, RM87L, RM87L sensitive, RM87P, RM87P sensitive, RM83

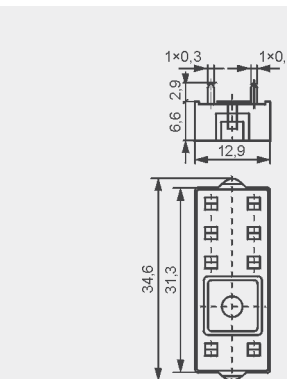
For PCB
34,6 x 12,9 x 6,6 mm
Two poles, 5 mm pinout 12 A, 250 V AC



Pinout



Dimensions



Accessories

MH16-2 (RM84/85/87) MH25-2 (RM83)

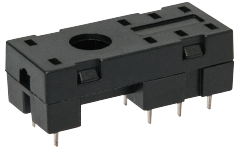
① Mounting and sub-assemblies of accessories in the socket; Signalling / protecting modules type M... - see www.repol.com.pl ② In the bracket the height of socket with retainer / retractor clip is shown. ③ For RM85..., RMP85: loads above 12 A (GZT80, GZM80, GZP80) or 10 A (GZS80, GZF80) require bridging pairs of terminals: 11 with 21, 12 with 22, 14 with 24 - see www.repol.com.pl

Sockets and accessories

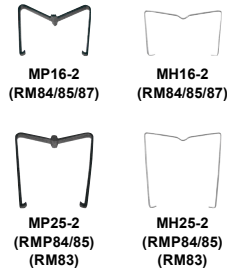
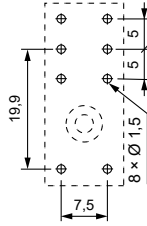
EW 50

For RM84, RM85, RM85 inrush, RM85 105 °C sensitive, RM87L, RM87L sensitive, RM87P, RM87P sensitive, RM83, RMP84, RMP85

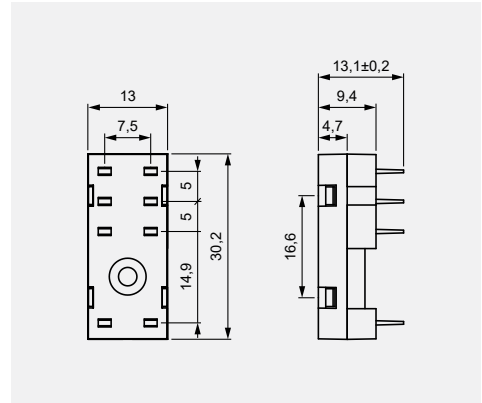
For PCB
30,2 x 13 x 9,4 mm
Two poles, 5 mm pinout
10 A, 250 V AC



Pinout



Dimensions

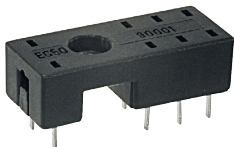


ERC

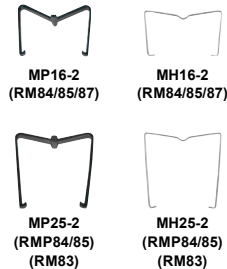
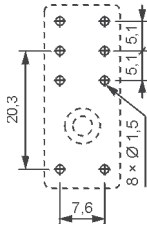
EC 50

For RM84, RM85, RM85 inrush, RM85 105 °C sensitive, RM87L, RM87L sensitive, RM87P, RM87P sensitive, RM83, RMP84, RMP85

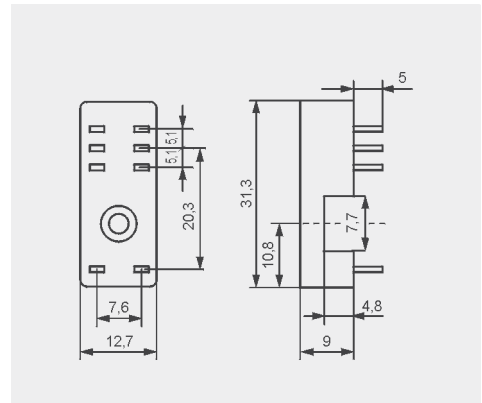
For PCB
31,3 x 12,7 x 9 mm
Two poles, 5 mm pinout
12 A, 250 V AC



Pinout



Dimensions



ERC

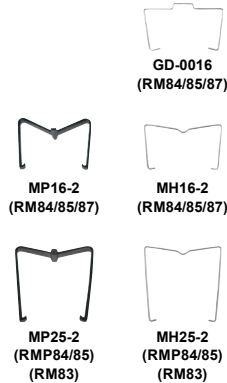
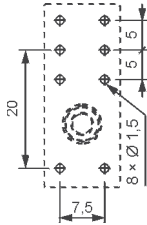
GD50

For RM84, RM85, RM85 inrush, RM85 105 °C sensitive, RM87L, RM87L sensitive, RM87P, RM87P sensitive, RM83, RMP84, RMP85

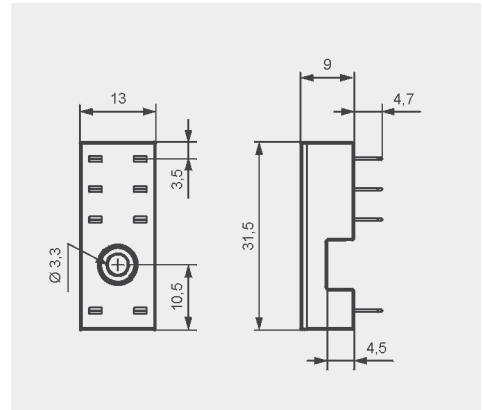
For PCB
31,5 x 13 x 9 mm
Two poles, 5 mm pinout
8 A, 300 V AC



Pinout



Dimensions

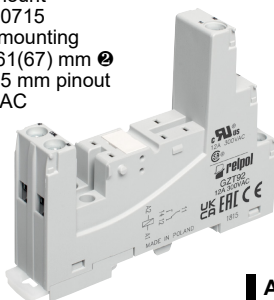


ERC

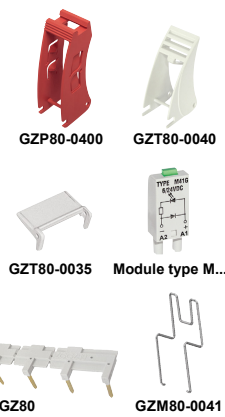
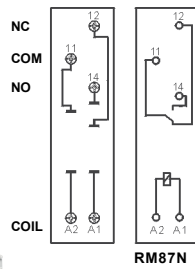
GZT92

For RM87N, RM87N sensitive

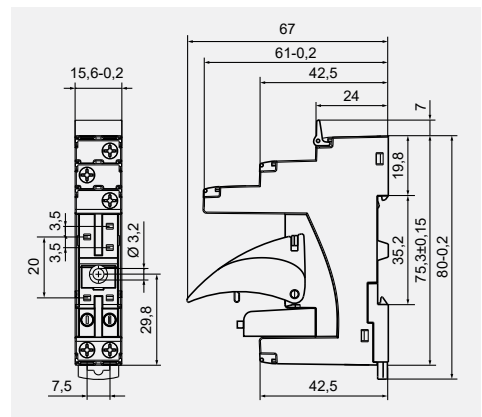
Screw terminals
Max. tightening moment for the terminal: 0,7 Nm
35 mm rail mount acc. to EN 60715 or on panel mounting
80 x 15,6 x 61(67) mm
One pole, 3,5 mm pinout
12 A, 300 V AC



Connection diagrams



Dimensions



CE c US ERC UK

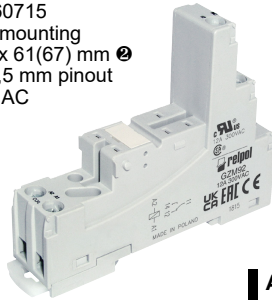
① Mounting and sub-assemblies of accessories in the socket; Signalling / protecting modules type M... - see www.repol.com.pl
② In the bracket the height of socket with retainer / retractor clip is shown.

Sockets and accessories

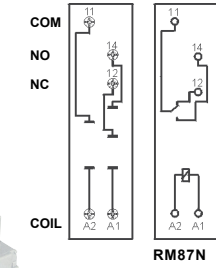
GZM92

For RM87N, RM87N sensitive

Screw terminals
Max. tightening moment
for the terminal: 0,7 Nm
35 mm rail mount
acc. to EN 60715
or on panel mounting
81,6 x 15,9 x 61(67) mm ②
One pole, 3,5 mm pinout
12 A, 300 V AC



Connection diagrams



RM87N



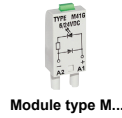
GZP80-0400



GZT80-0040



GZT80-0035



Module type M...

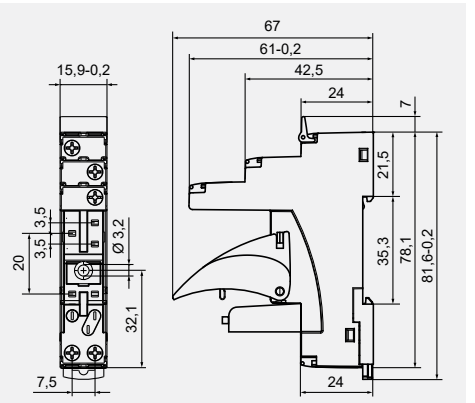


ZGGZ80



GZM80-0041

Dimensions



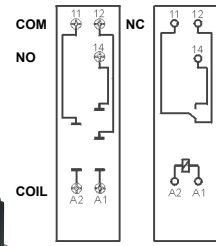
GZS92

For RM87N, RM87N sensitive

Screw terminals
Max. tightening moment
for the terminal: 0,5 Nm
35 mm rail mount
acc. to EN 60715
or on panel mounting
76,8 x 15,8 x 42,5(57,1) mm ②
One pole, 3,5 mm pinout
12 A, 300 V AC



Connection diagrams



RM87N



GZS-0040



TR



Module type M...

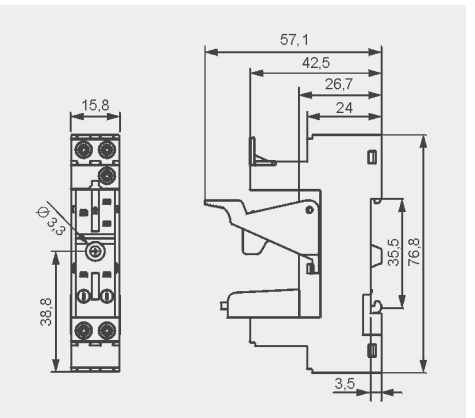


ZGGZ80



GZM80-0041

Dimensions



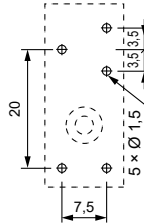
EW 35

For RM84, RM85, RM85 inrush,
RM85 105 °C sensitive,
RM87L, RM87L sensitive,
RM87P, RM87P sensitive,
RM83, RMP84, RMP85

For PCB
30,2 x 13 x 9,4 mm
One pole, 3,5 mm pinout
10 A, 250 V AC



Pinout



MP16-2
(RM84/85/87)



MH16-2
(RM84/85/87)



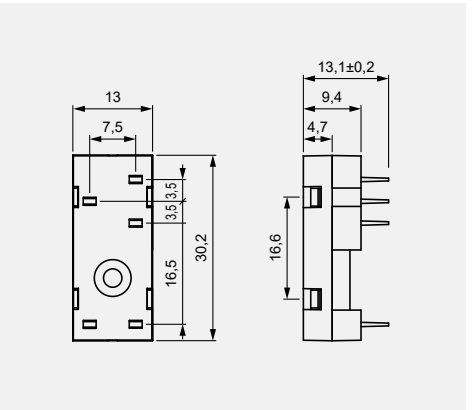
MP25-2
(RMP84/85)
(RM83)



MH25-2
(RMP84/85)
(RM83)

Accessories

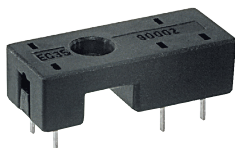
Dimensions



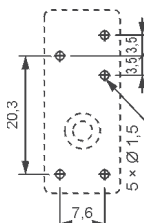
EC 35

For RM87N, RM87N sensitive

For PCB
31,3 x 12,7 x 9 mm
One pole, 3,5 mm pinout
12 A, 300 V AC



Pinout



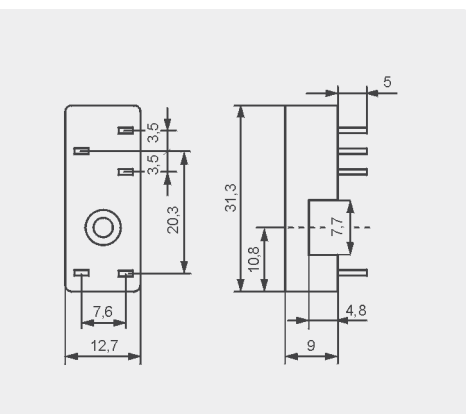
MP16-2



MH16-2

Accessories

Dimensions



① Mounting and sub-assemblies of accessories in the socket; Signalling / protecting modules type M... - see www.repol.com.pl
② In the bracket the height of socket with retainer / retractor clip is shown.

Sockets and accessories

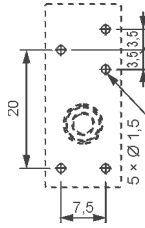
GD35

For RM87N, RM87N sensitive

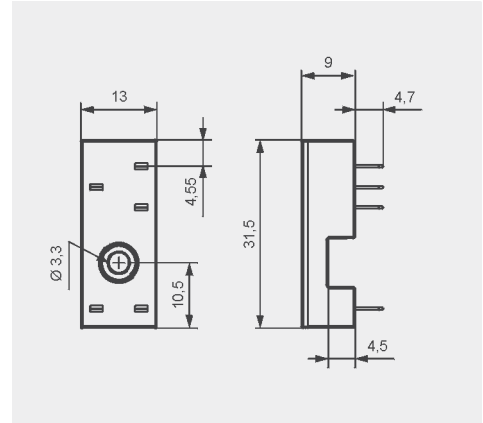
For PCB
31,5 x 13 x 9 mm
One pole, 3,5 mm pinout
12 A, 300 V AC



Pinout



Dimensions

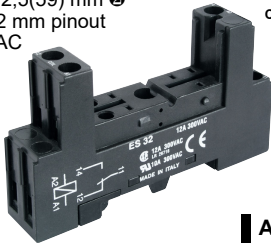


Accessories

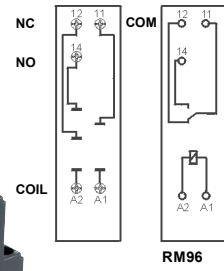
ES 32

For RM96 1 CO

Screw terminals
Max. tightening moment
for the terminal: 0,5 Nm
35 mm rail mount
acc. to EN 60715
or on panel mounting
75 x 15,5 x 42,5(59) mm ②
One pole, 3,2 mm pinout
12 A, 300 V AC



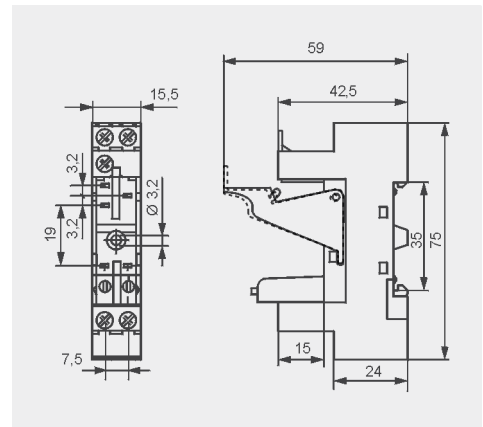
Connection diagrams



Accessories

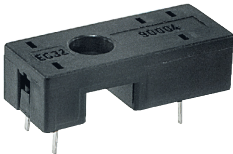
ZGGZ80 GZM80-0041

Dimensions

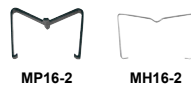
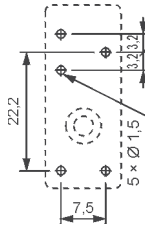


EC 32

For PCB
31 x 12,7 x 9 mm
One pole, 3,2 mm pinout
12 A, 300 V AC

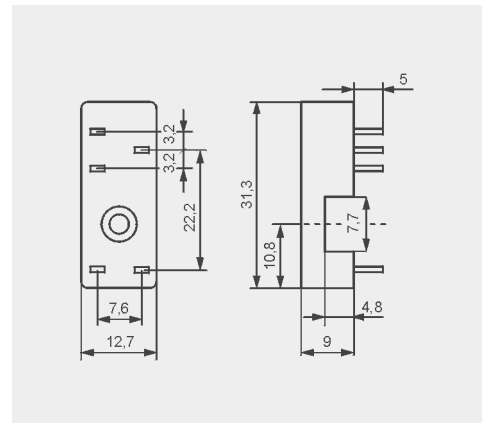


Pinout



Accessories

Dimensions



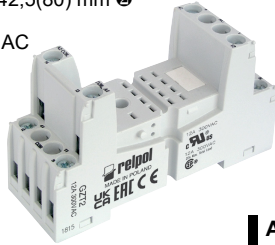
① Mounting and sub-assemblies of accessories in the socket; Signalling / protecting modules type M... - see www.repol.com.pl
② In the bracket the height of socket with retainer / retractor clip is shown.

Sockets and accessories

GZT2

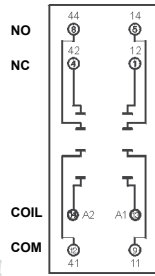
For R2N

Screw terminals
Max. tightening moment
for the terminal: 0,7 Nm
35 mm rail mount
acc. to EN 60715
or on panel mounting
76,3 x 27 x 42,5(80) mm Ⓜ
Two poles
12 A, 300 V AC

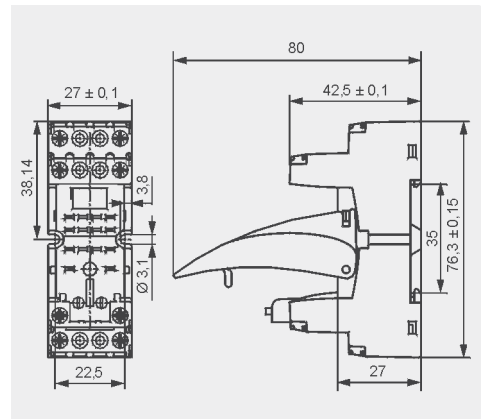


Connection diagram

Installation instruction



Dimensions

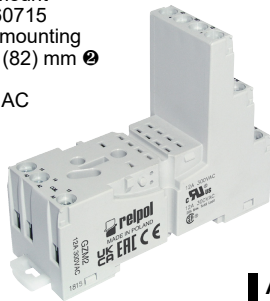


Accessories

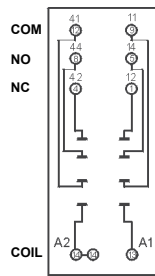
GZM2

For R2N

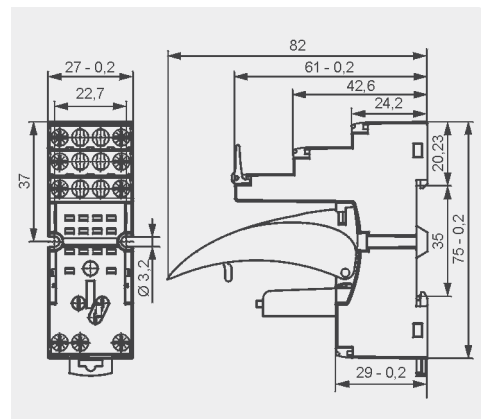
Screw terminals
Max. tightening moment
for the terminal: 0,7 Nm
35 mm rail mount
acc. to EN 60715
or on panel mounting
75 x 27 x 61(82) mm Ⓜ
Two poles
12 A, 300 V AC



Connection diagram



Dimensions

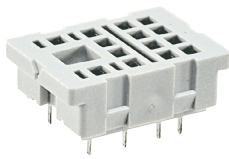


Accessories

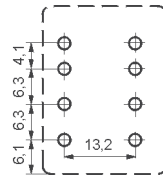
SU4/2D

For R2N

For PCB
29,6 x 21,5 x 11 mm
Two poles
12 A, 250 V AC



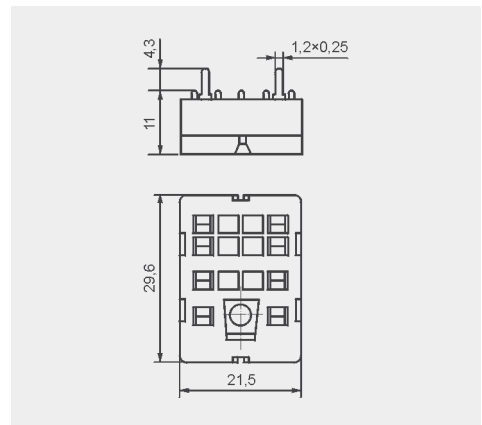
Pinout



Accessories

G4 1053

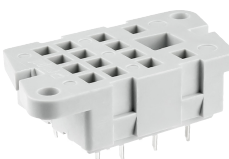
Dimensions



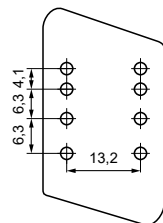
G4D/2

For R2N

For PCB
40,5 x 21,5 x 11 mm
Two poles
12 A, 250 V AC



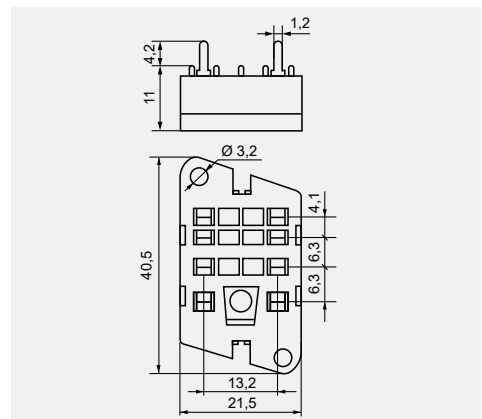
Pinout



Accessories

G4 1053

Dimensions



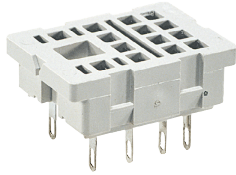
Ⓜ Mounting and sub-assemblies of accessories in the socket; Signalling / protecting modules type M... - see www.repol.com.pl
Ⓜ In the bracket the height of socket with retainer / retractor clip is shown.

Sockets and accessories

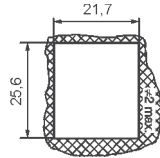
SU4/2L

For R2N

Solder terminals
29,6 x 21,5 x 18,1 mm
Two poles
12 A, 250 V AC



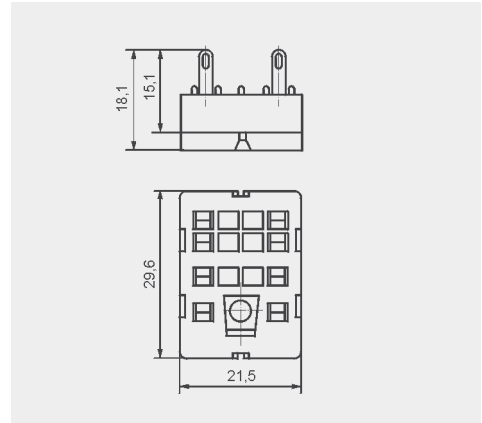
Dimensions of opening on panel mounting



Accessories

G4 1053 G4 1040

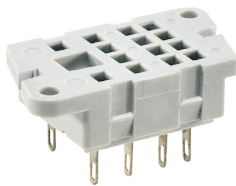
Dimensions



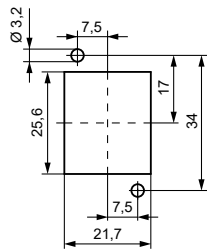
G4/2

For R2N

Solder terminals
40,5 x 21,5 x 18,1 mm
Two poles
12 A, 250 V AC



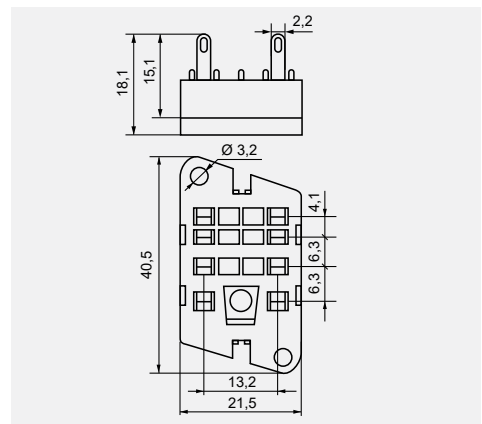
Pinout of openings on panel mounting



Accessories

G4 1053

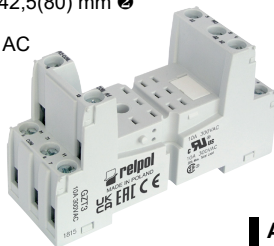
Dimensions



GZT3

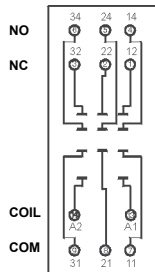
For R3N

Screw terminals
Max. tightening moment
for the terminal: 0,7 Nm
35 mm rail mount
acc. to EN 60715
or on panel mounting
76,3 x 27 x 42,5(80) mm
Three poles
10 A, 300 V AC



Connection diagram

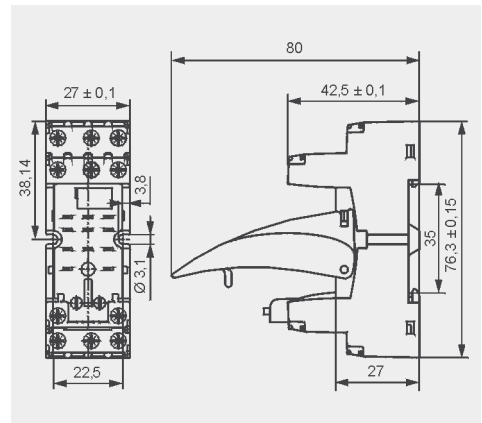
[Installation instruction](#)



Accessories

GZT4-0035 Module type M...

Dimensions



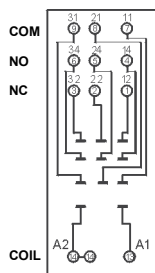
GZM3

For R3N

Screw terminals
Max. tightening moment
for the terminal: 0,7 Nm
35 mm rail mount
acc. to EN 60715
or on panel mounting
75 x 27 x 61(82) mm
Three poles
10 A, 300 V AC



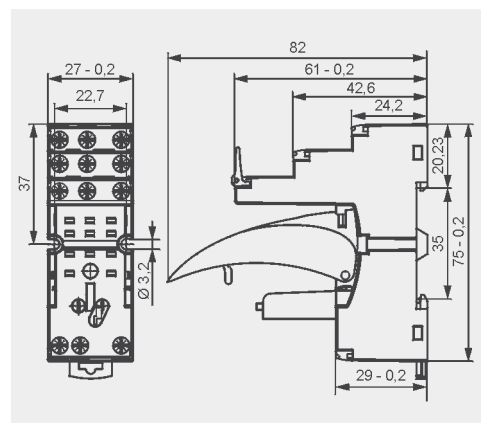
Connection diagram



Accessories

GZT4-0035 Module type M...

Dimensions



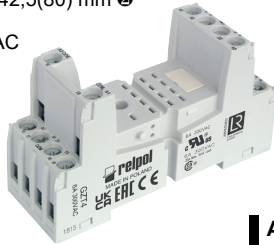
① Mounting and sub-assemblies of accessories in the socket; Signalling / protecting modules type M... - see www.repol.com.pl
② In the bracket the height of socket with retainer / retractor clip is shown.

Sockets and accessories

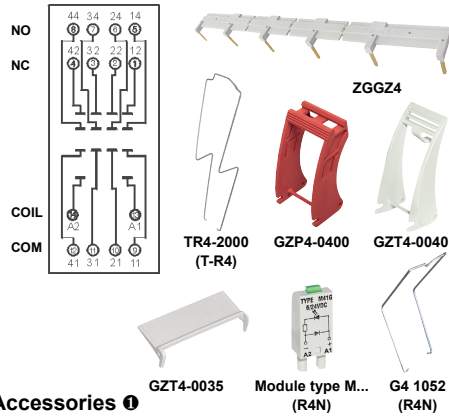
GZT4

For R4N, T-R4

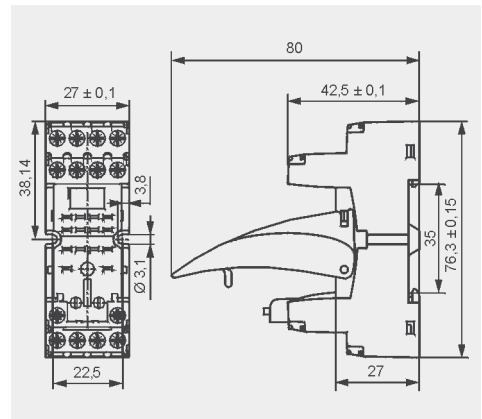
Screw terminals
Max. tightening moment for the terminal: 0,7 Nm
35 mm rail mount acc. to EN 60715 or on panel mounting
76,3 x 27 x 42,5(80) mm ②
Four poles
6 A, 300 V AC



Connection diagram [Installation instruction](#)



Dimensions

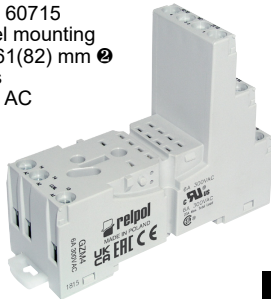


Accessories

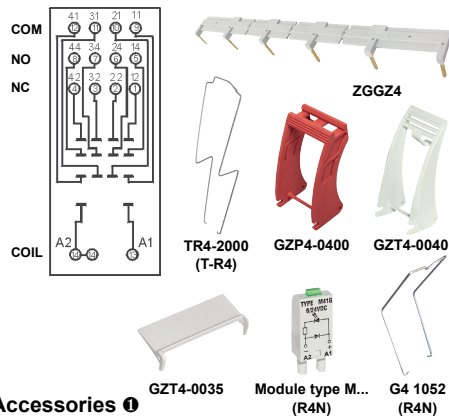
GZM4

For R4N, T-R4

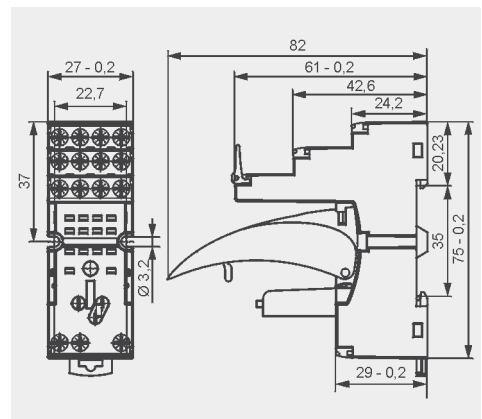
Screw terminals
Max. tightening moment for the terminal: 0,7 Nm
35 mm rail mount acc. to EN 60715 or on panel mounting
75 x 27 x 61(82) mm ②
Four poles
6 A, 300 V AC



Connection diagram



Dimensions



Accessories

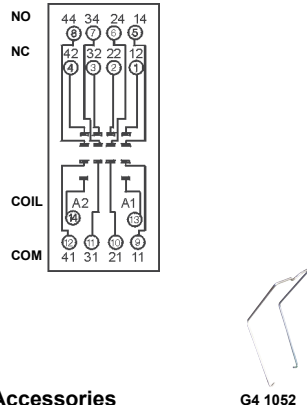
GZ4

For R4N

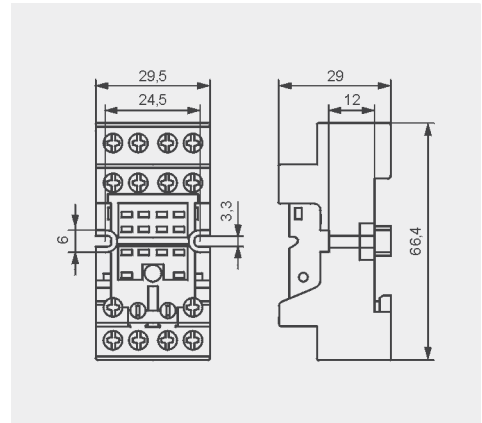
Screw terminals
Max. tightening moment for the terminal: 0,7 Nm
35 mm rail mount acc. to EN 60715 or on panel mounting
66,4 x 29,5 x 29 mm
Four poles
10 A, 300 V AC



Connection diagram



Dimensions

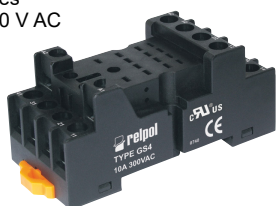


Accessories

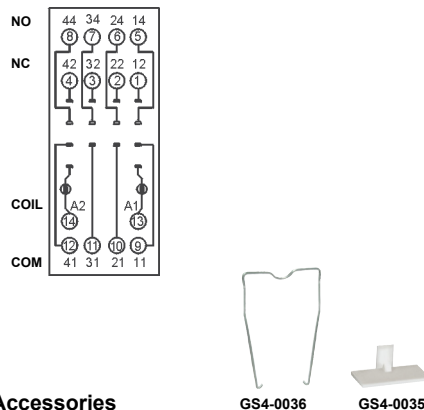
GS4

For R4N

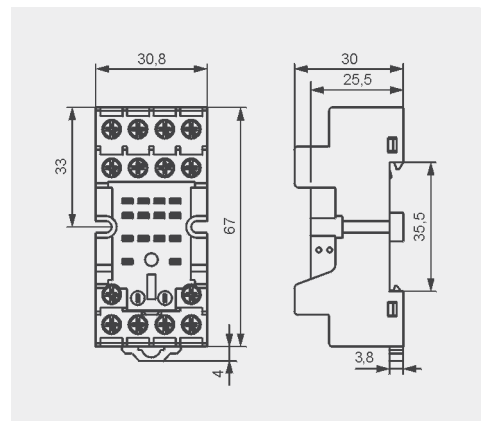
Screw terminals
Max. tightening moment for the terminal: 0,7 Nm
35 mm rail mount acc. to EN 60715 or on panel mounting
67 x 30,8 x 30(~63,7) mm ⑤
Four poles
10 A, 300 V AC



Connection diagram



Dimensions



Accessories

- ① Mounting and sub-assemblies of accessories in the socket; Signalling / protecting modules type M... - see www.repol.com.pl
- ② In the bracket the height of socket with retainer / retractor clip is shown. ④ Have obtained LR Type Approval Certificate (Lloyd's Register).
- ⑤ In the bracket the height of socket with spring wire clip is shown.

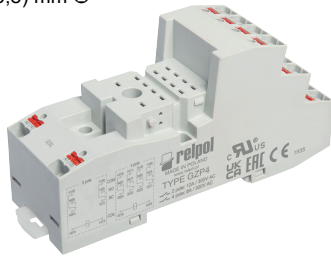
Sockets and accessories

GZP4

For R4N, R2N

Push-in terminals
(flammability class V-0)
Max. cross section of the cables:
2 x 1,5 mm² (ferrules without insulation)
2 x 1 mm² (ferrules with insulation)
Stripping length: 8...10 mm

35 mm rail mount
acc. to EN 60715
or on panel mounting
97 x 31 x 45,9(75,8) mm [⊗]
Two poles
12 A, 300 V AC
Four poles
8 A, 300 V AC



GZP4-0400



GZT4-0040



G4 1052



MP15



ZGZP4-2



ZGZP-2



Module type M...



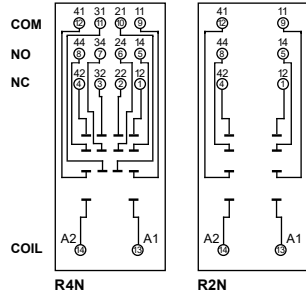
ZGZP4-8



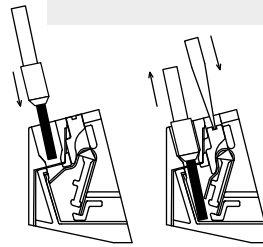
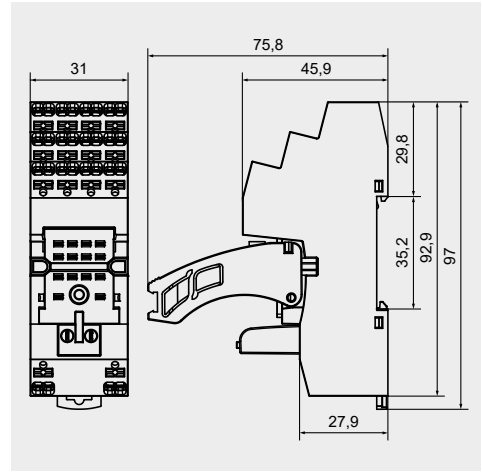
Component

Accessories [ⓘ]

Connection diagrams



Dimensions

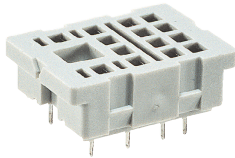


The drawings present inserting wire into the Push-in terminal and removing wire using the button releasing a clamp (assembly without tools).

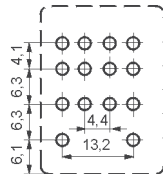
SU4D

For R4N

For PCB
29,6 x 21,5 x 11 mm
Four poles
6 A, 250 V AC



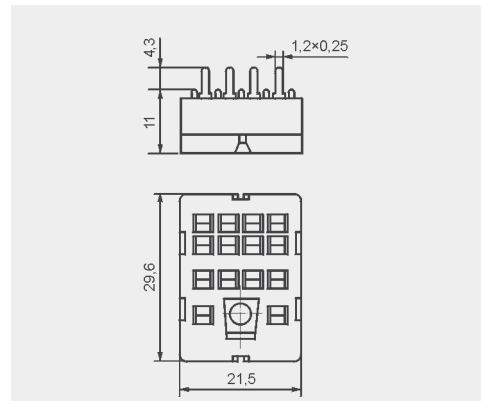
Pinout



G4 1053

Accessories

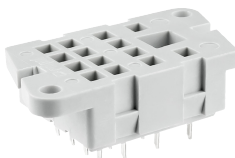
Dimensions



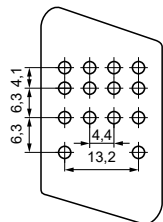
G4D

For R4N

For PCB
40,5 x 21,5 x 11 mm
Four poles
6 A, 250 V AC



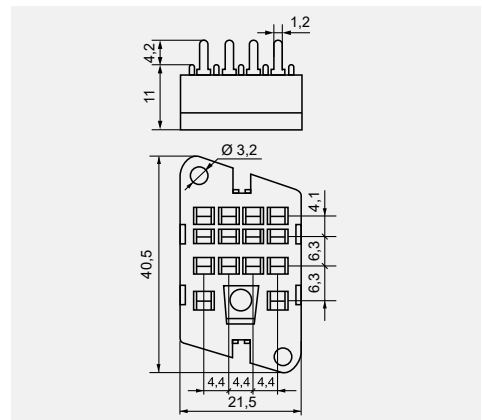
Pinout



G4 1053

Accessories

Dimensions



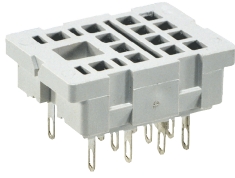
[ⓘ] Mounting and sub-assemblies of accessories in the socket; Signalling / protecting modules type M... - see www.repol.com.pl
[⊗] In the bracket the height of socket with retainer / retractor clip is shown.

Sockets and accessories

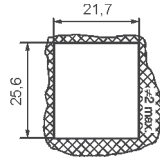
SU4L

For R4N

Solder terminals
29,6 x 21,5 x 18,1 mm
Four poles
6 A, 250 V AC



Dimensions of opening on panel mounting

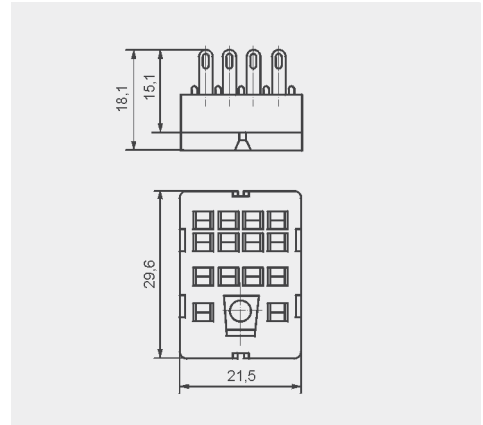


Accessories

G4 1053

G4 1040

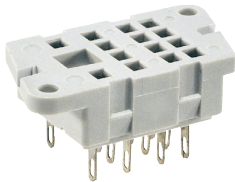
Dimensions



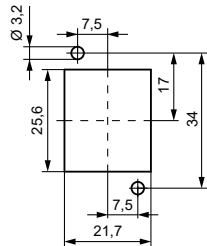
G4

For R4N

Solder terminals
40,5 x 21,5 x 18,1 mm
Four poles
6 A, 250 V AC



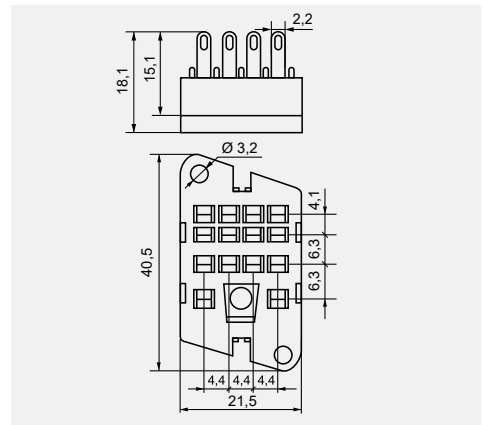
Pinout of openings on panel mounting



Accessories

G4 1053

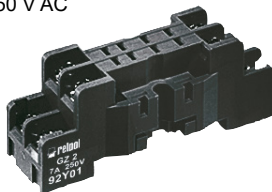
Dimensions



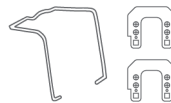
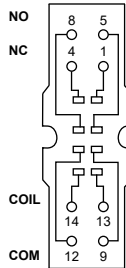
GZ2

For R2M

Screw terminals
Max. tightening moment
for the terminal: 0,7 Nm
35 mm rail mount
acc. to EN 60715
or on panel mounting
65,2 x 20 x 25 mm
Two poles
7 A, 250 V AC



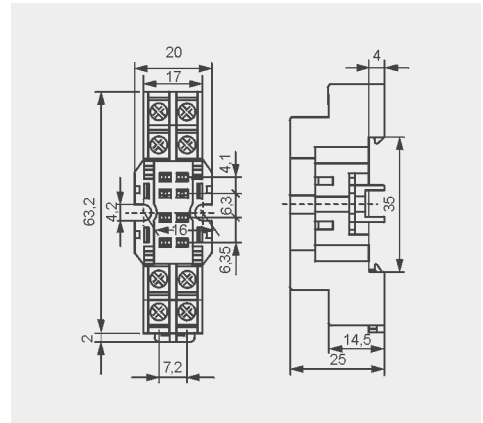
Connection diagram



Accessories

GZ2 1060

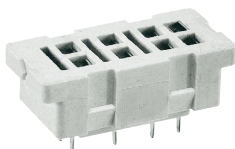
Dimensions



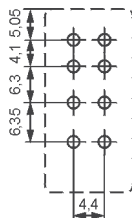
S2M

For R2M

For PCB
29,6 x 14 x 10,5 mm
Two poles
5 A, 250 V AC



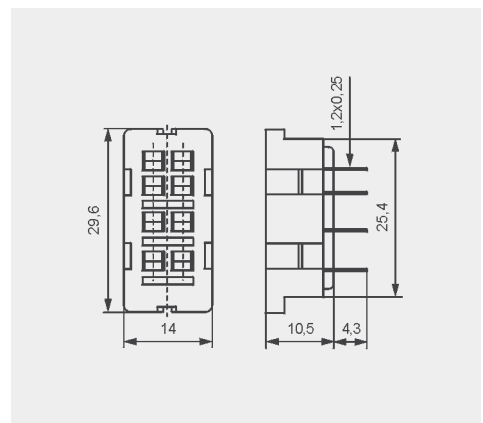
Pinout



Accessories

G4 1050

Dimensions

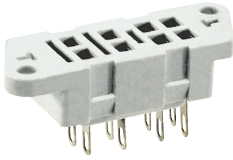


Sockets and accessories

G2M

For R2M

Solder terminals
40,5 x 14 x 10,5 mm
Two poles
5 A, 250 V AC

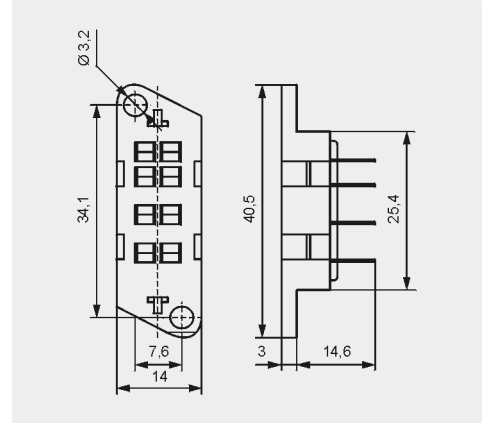


G4 1050

G2M 1020

Accessories

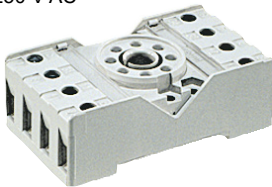
Dimensions



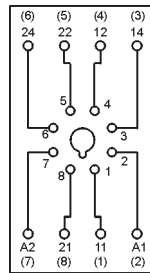
PZ8

For R15 - 2 CO

Screw terminals
Max. tightening moment
for the terminal: 0,7 Nm
35 mm rail mount
acc. to EN 60715
or on panel mounting
68,2 x 38 x 24,2 mm
Two poles
10 A, 250 V AC



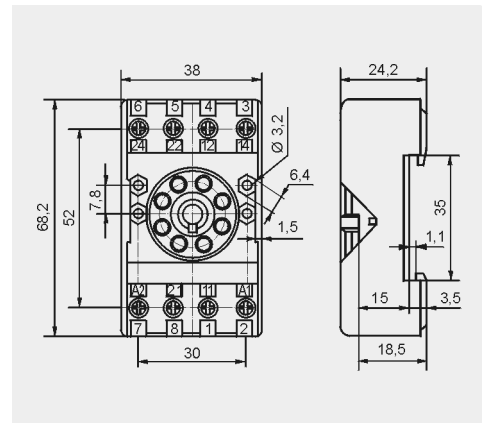
Connection diagram



PZ11 0031

Accessories

Dimensions



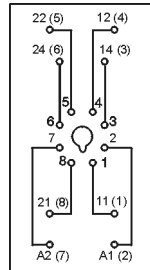
GZU8

For R15 - 2 CO

Screw terminals
Max. tightening moment
for the terminal: 0,7 Nm
35 mm rail mount
acc. to EN 60715
82 x 35,5 x 25,7 mm
Two poles
10 A, 250 V AC



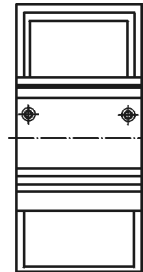
Connection diagram



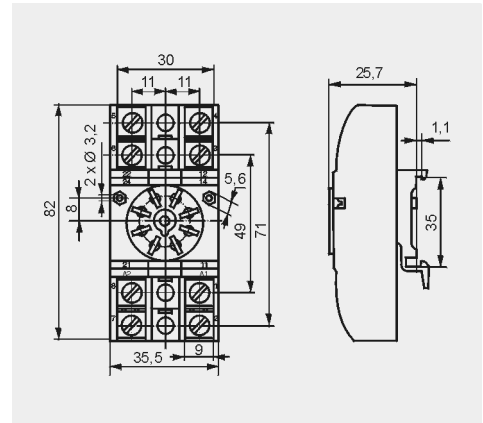
GZU 1052

Accessories

Adaptor



Dimensions



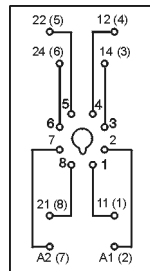
GZ8

For R15 - 2 CO

Screw terminals
Max. tightening moment
for the terminal: 0,7 Nm
On panel mounting
82,8 x 35,5 x 22,5 mm
Two poles
10 A, 250 V AC



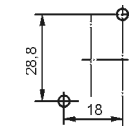
Connection diagram



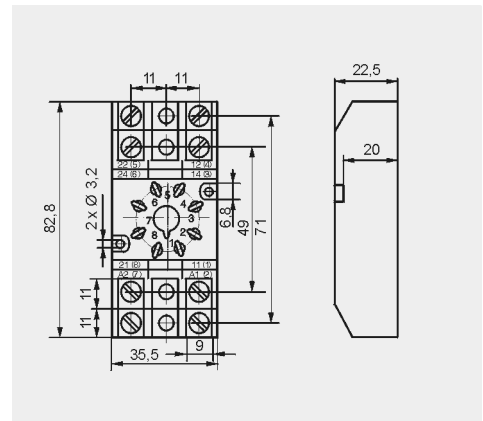
GZ 1050

Accessories

Mounting dimensions



Dimensions



⚡ Have obtained LR Type Approval Certificate (Lloyd's Register).

Sockets and accessories

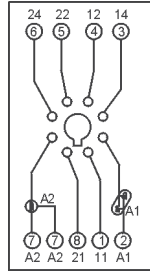
GZP8

For R15 - 2 CO

Screw terminals
Max. tightening moment for the terminal: 0,5 Nm
35 mm rail mount acc. to EN 60715 or on panel mounting
73 x 38,2 x 27,2 mm
Two poles
12 A, 300 V AC



Connection diagram



Module type 21, 41



Time module COM3



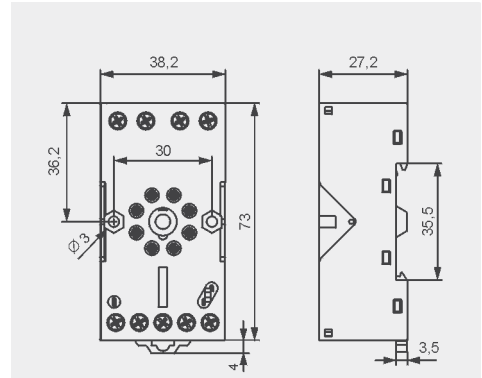
GZP-0054



GZP-0035

Accessories

Dimensions



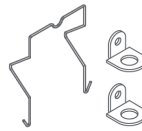
GOP8

For R15 - 2 CO

Solder terminals
47,2 x 32 x 22 mm
Two poles
10 A, 250 V AC

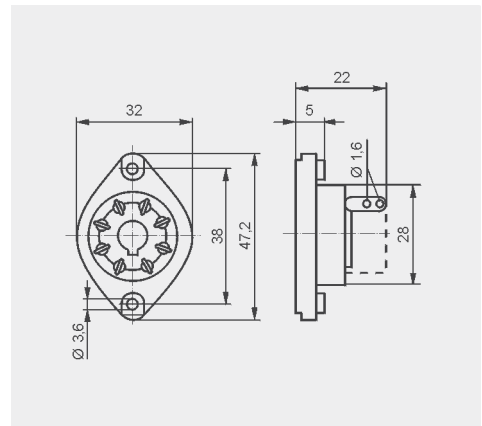


Accessories



R159 1051

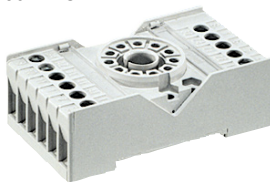
Dimensions



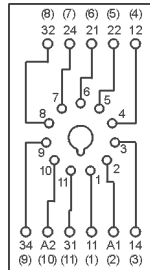
PZ11

For R15 - 3 CO

Screw terminals
Max. tightening moment for the terminal: 0,7 Nm
35 mm rail mount acc. to EN 60715 or on panel mounting
68,2 x 38 x 24,2 mm
Three poles
10 A, 250 V AC



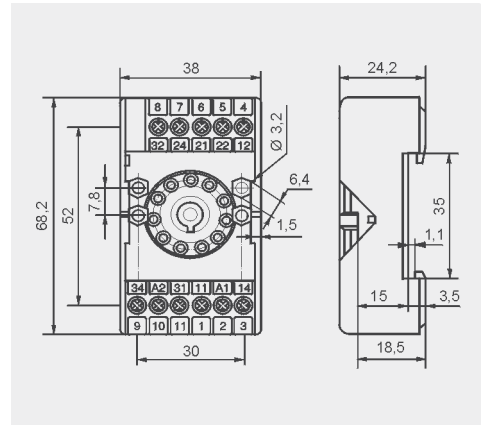
Connection diagram



PZ11 0031

Accessories

Dimensions



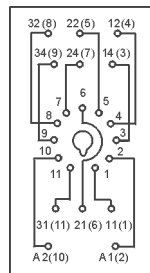
GZU11

For R15 - 3 CO

Screw terminals
Max. tightening moment for the terminal: 0,7 Nm
35 mm rail mount acc. to EN 60715
82 x 35,5 x 25,7 mm
Three poles
10 A, 250 V AC



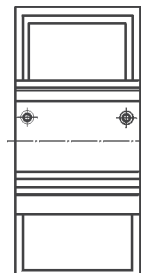
Connection diagram



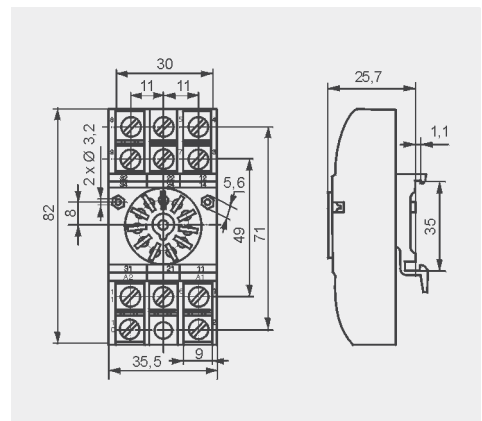
GZU 1052

Accessories

Adaptor



Dimensions



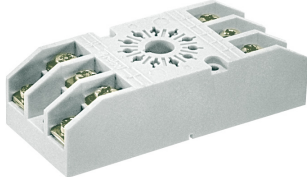
⚠ Have obtained LR Type Approval Certificate (Lloyd's Register).

Sockets and accessories

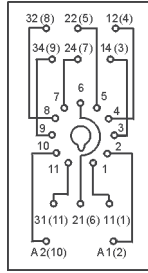
GZ11

For R15 - 3 CO

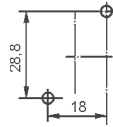
Screw terminals
Max. tightening moment
for the terminal: 0,7 Nm
On panel mounting
82,8 x 35,5 x 22,5 mm
Three poles
10 A, 250 V AC



Connection diagram

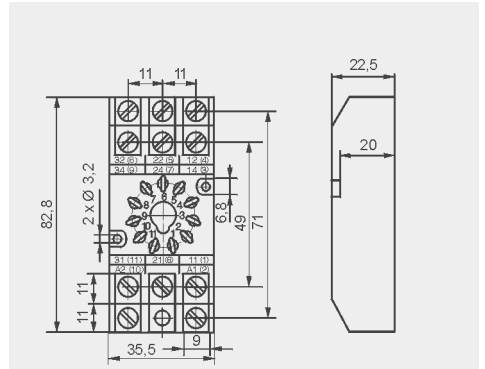


Mounting dimensions



GZ 1050

Dimensions



Accessories

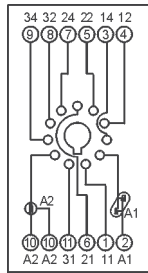
GZP11

For R15 - 3 CO

Screw terminals
Max. tightening moment
for the terminal: 0,5 Nm
35 mm rail mount
acc. to EN 60715
or on panel mounting
73 x 38,2 x 27,2 mm
Three poles
12 A, 300 V AC



Connection diagram



Module type 21, 41



Time module COM3

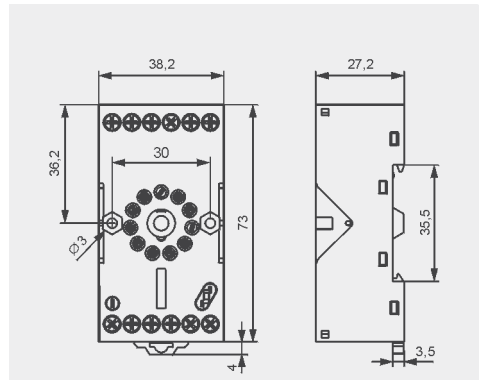


GZP-0054



GZP-0035

Dimensions



Accessories

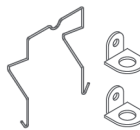
GOP11

For R15 - 3 CO

Solder terminals
47,2 x 32 x 22 mm
Three poles
10 A, 250 V AC

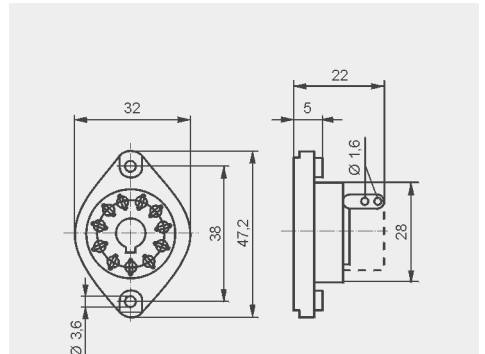


Accessories



R159 1051

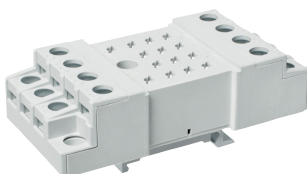
Dimensions



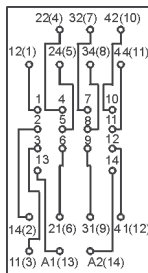
GZ14U

For R15 - 4 CO

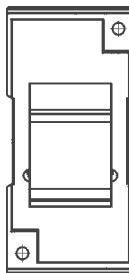
Screw terminals
Max. tightening moment
for the terminal: 0,7 Nm
35 mm rail mount
acc. to EN 60715
96,8 x 46,4 x 33,3 mm
Four poles
10 A, 250 V AC



Connection diagram

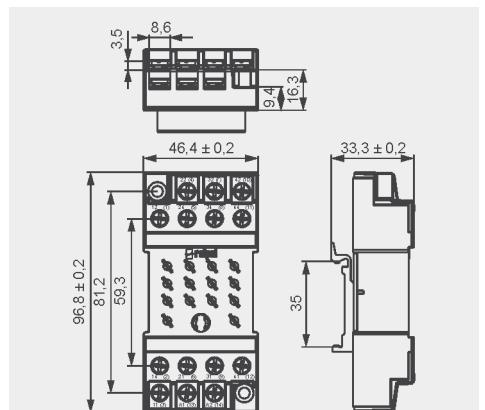


Adaptor



GZ14 0737

Dimensions



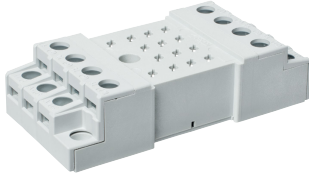
Accessories

Sockets and accessories

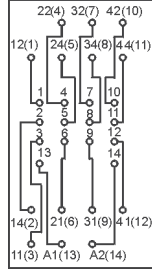
GZ14

For R15 - 4 CO

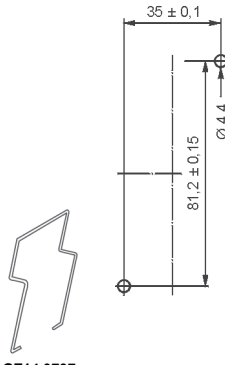
Screw terminals
Max. tightening moment
for the terminal: 0,7 Nm
On panel mounting
96,8 x 46,4 x 24,5 mm
Four poles
10 A, 250 V AC



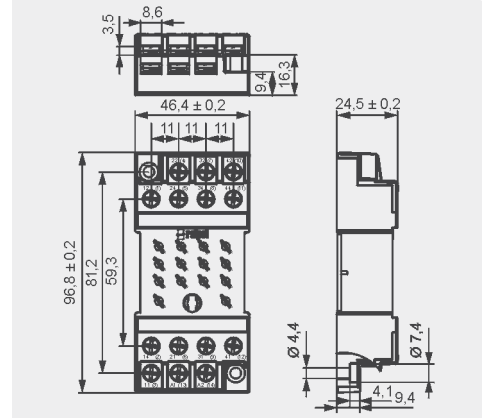
Connection diagram



Mounting dimensions



Dimensions



Accessories

GZ14 0737

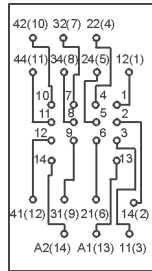
GZ14Z

For R15 - 4 CO

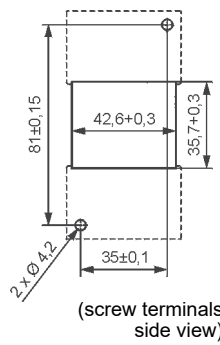
Screw terminals
Max. tightening moment
for the terminal: 0,7 Nm
On panel mounting, behind
92,2 x 46 x 24,5 mm
Four poles
10 A, 250 V AC



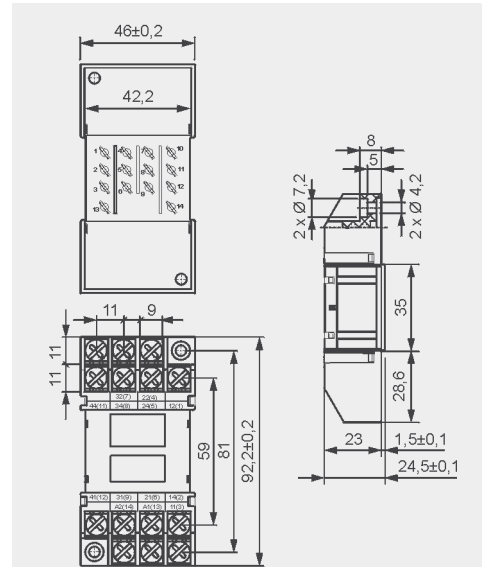
Connection diagram



Mounting dimensions



Dimensions



Accessories

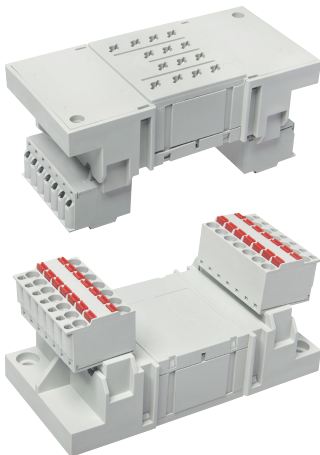
GZ14 0737

GZ14P

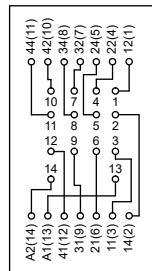
For R15 - 4 CO

Push-in terminals
Max. cross section of the cables:
2 x 2,5 mm² (ferrules without insulation)
2 x 1,5 mm² (ferrules with insulation)
Stripping length: 10 mm

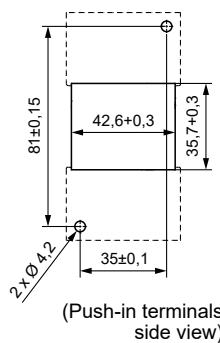
On panel mounting, behind
92,2 x 46,2 x 44,7 mm
Four poles
10 A, 250 V AC



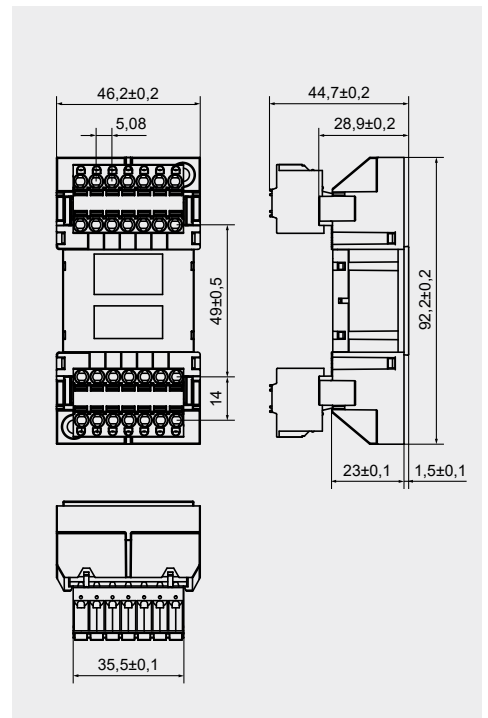
Connection diagram



Mounting dimensions



Dimensions



Accessories

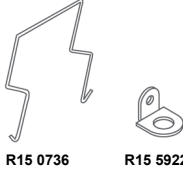
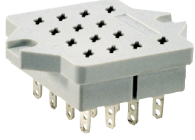
GZ14 0737

Sockets and accessories

GOP14

For R15 - 4 CO

Solder terminals
50 x 42 x 23 mm
Four poles
10 A, 250 V AC



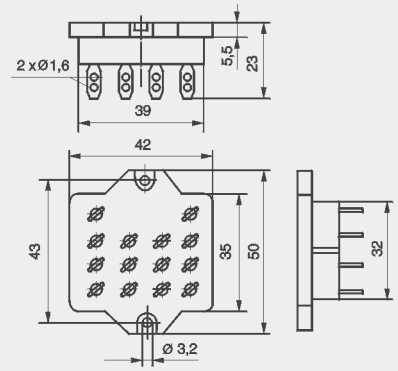
Accessories

R15 0736

R15 5922

Dimensions

CE EAC

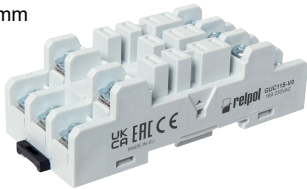


GUC11S-V0 ⑥

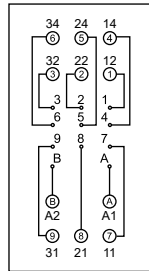
For RUC faston 4,8x0,5, RUC-M

Screw terminals
Cross section of the cables: max. 1 x 4 mm²
/ 2 x 2,5 mm² (1 x 12 / 2 x 14 AWG),
min. 1 x 0,25 mm² (1 x 23 AWG)
Max. tightening moment
for the terminal: 0,7 Nm

35 mm rail mount
acc. to EN 60715
81,5 x 35,5 x 26,5 mm
Three poles
16 A, 250 V AC



Connection diagram

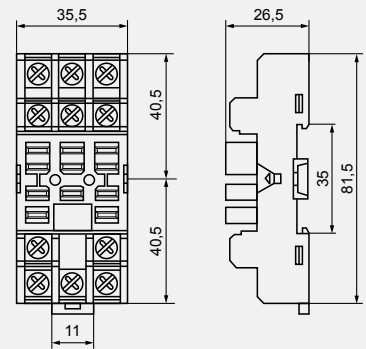


Accessories

MBA

Dimensions

CE EAC UK



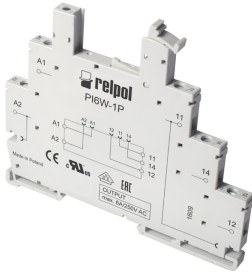
⑥ For RUC faston 4,8 x 0,5 and RUC-M, with GUC11S-V0 socket, max. switching voltages and coil voltages of relays are limited to 250 V AC / DC.

Sockets and accessories

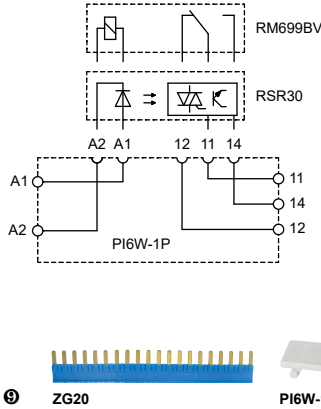
PI6W-1P

For RM699BV, RSR30

Screw terminals
Max. tightening moment
for the terminal: 0,3 Nm
35 mm rail mount
acc. to EN 60715
98,5 x 6,2 x 85,5 mm
One pole
6 A, 250 V AC



Connection diagram

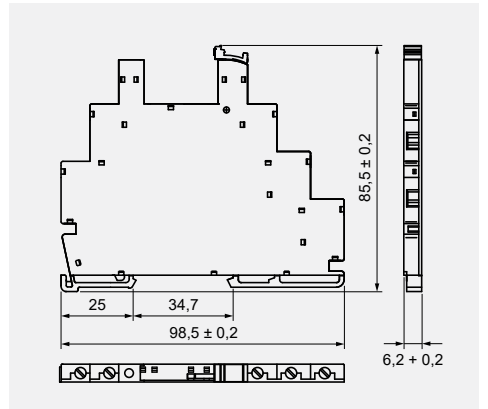


Accessories

ZG20

PI6W-1246

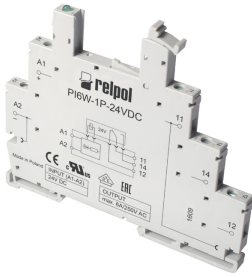
Dimensions



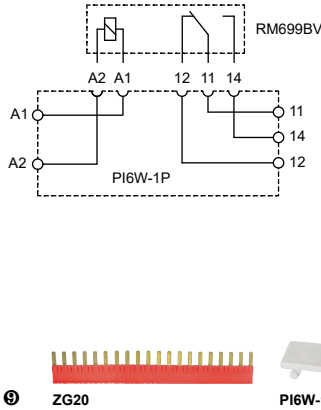
PI6W-1P

For RM699BV

Screw terminals
Max. tightening moment
for the terminal: 0,3 Nm
35 mm rail mount
acc. to EN 60715
98,5 x 6,2 x 85,5 mm
One pole
6 A, 250 V AC



Connection diagram

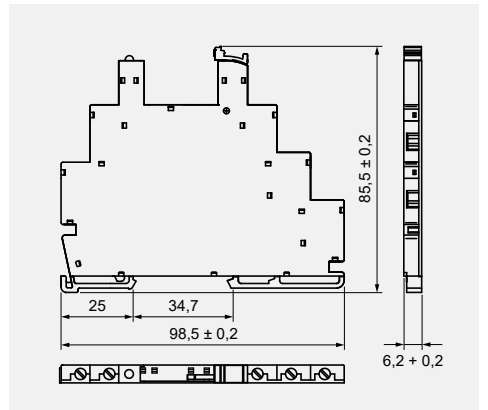


Accessories

ZG20

PI6W-1246

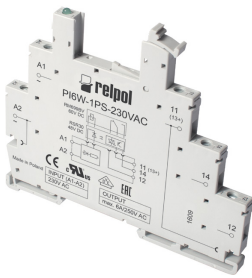
Dimensions



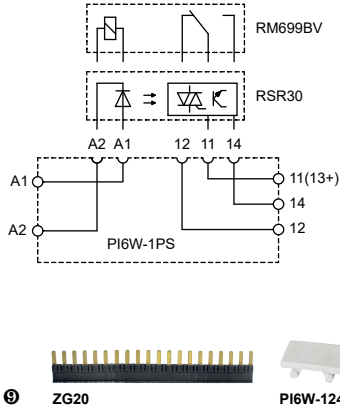
PI6W-1PS

For RM699BV, RSR30

Screw terminals
Max. tightening moment
for the terminal: 0,3 Nm
35 mm rail mount
acc. to EN 60715
98,5 x 6,2 x 85,5 mm
One pole
6 A, 250 V AC



Connection diagram

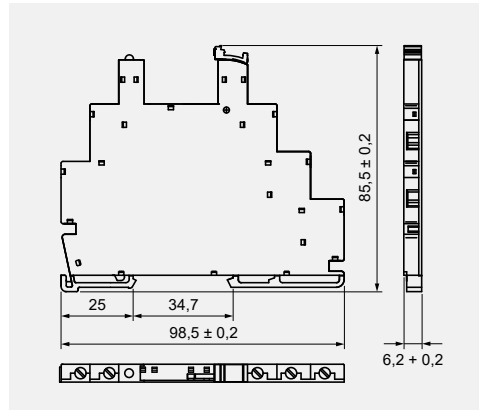


Accessories

ZG20

PI6W-1246

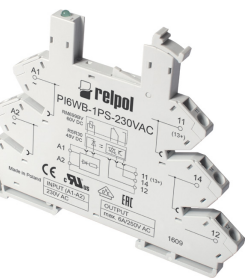
Dimensions



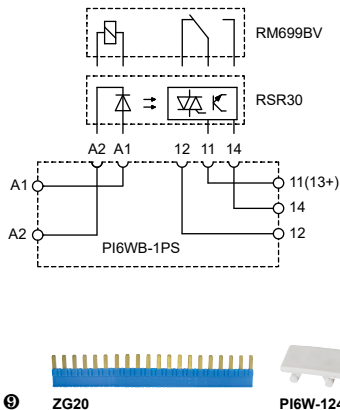
PI6WB-1PS

For RM699BV, RSR30

Spring terminals
35 mm rail mount
acc. to EN 60715
98,3 x 6,2 x 84,6 mm
One pole
6 A, 250 V AC



Connection diagram

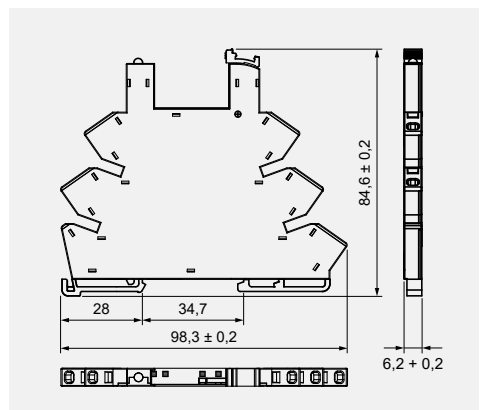


Accessories

ZG20

PI6W-1246

Dimensions



⚠ Sockets without electronic. ⚙ Sockets with electronic PI6W., 6W.: version codes and selection of relays for sockets can be found in the data sheets of interface relays PIR6W., SIR6W. - see www.repol.com.pl 🎨 Colours of strips: ZG20-1, JB20-1 red; ZG20-2, JB20-2 black; ZG20-3, JB20-3 blue.

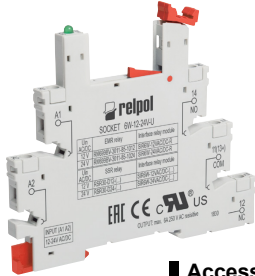
Sockets and accessories

6W ⑨

For RM699BV, RSR30

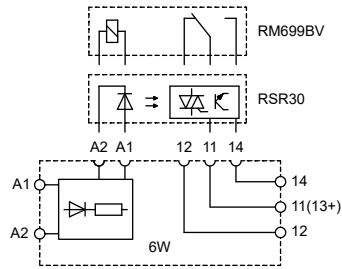
Screw terminals; Max. cross section of the cables:
 $1 \times 2,5 \text{ mm}^2 / 2 \times 1,5 \text{ mm}^2$
 Stripping length: 7 mm
 Max. tightening moment for the terminal: 0,5 Nm

35 mm rail mount acc. to EN 60715
 88,6 x 6,2 x 76 mm
 One pole
 6 A, 250 V AC



Accessories ⑩

Connection diagram



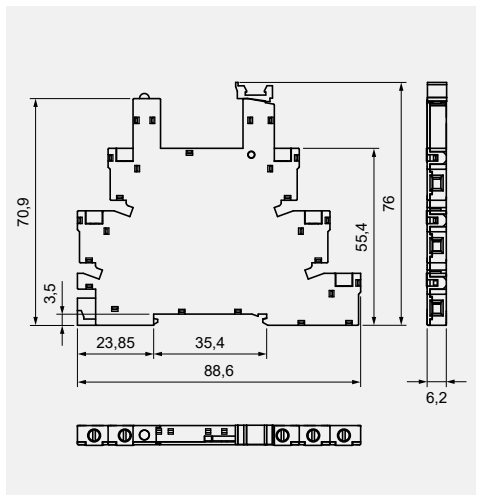
MP6-C

JB20



6W-SEP

Dimensions

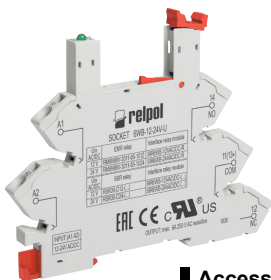


6WB ⑨

For RM699BV, RSR30

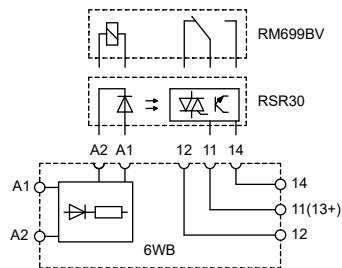
Spring terminals
 Max. cross section of the cables: $1 \times 2,5 \text{ mm}^2$
 Stripping length: 7 mm

35 mm rail mount acc. to EN 60715
 95 x 6,2 x 76,6 mm
 One pole
 6 A, 250 V AC



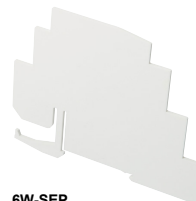
Accessories ⑩

Connection diagram



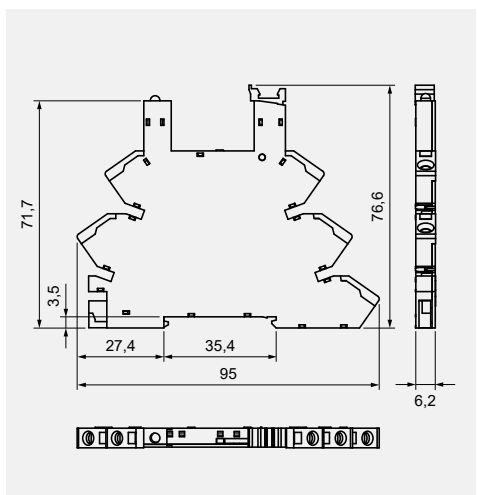
MP6-C

JB20



6W-SEP

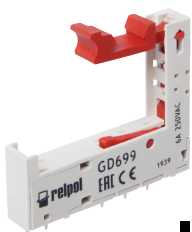
Dimensions



GD699

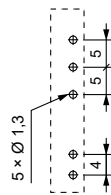
For RM699BV, RSR30

For PCB
 33 x 6 x 37,21 mm
 One pole, 5 mm pinout
 6 A, 250 V AC



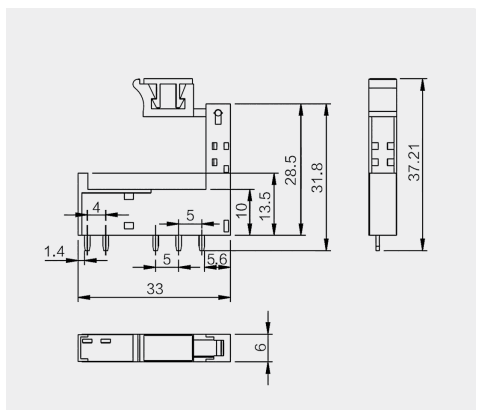
Accessories

Pinout



MP6-C

Dimensions



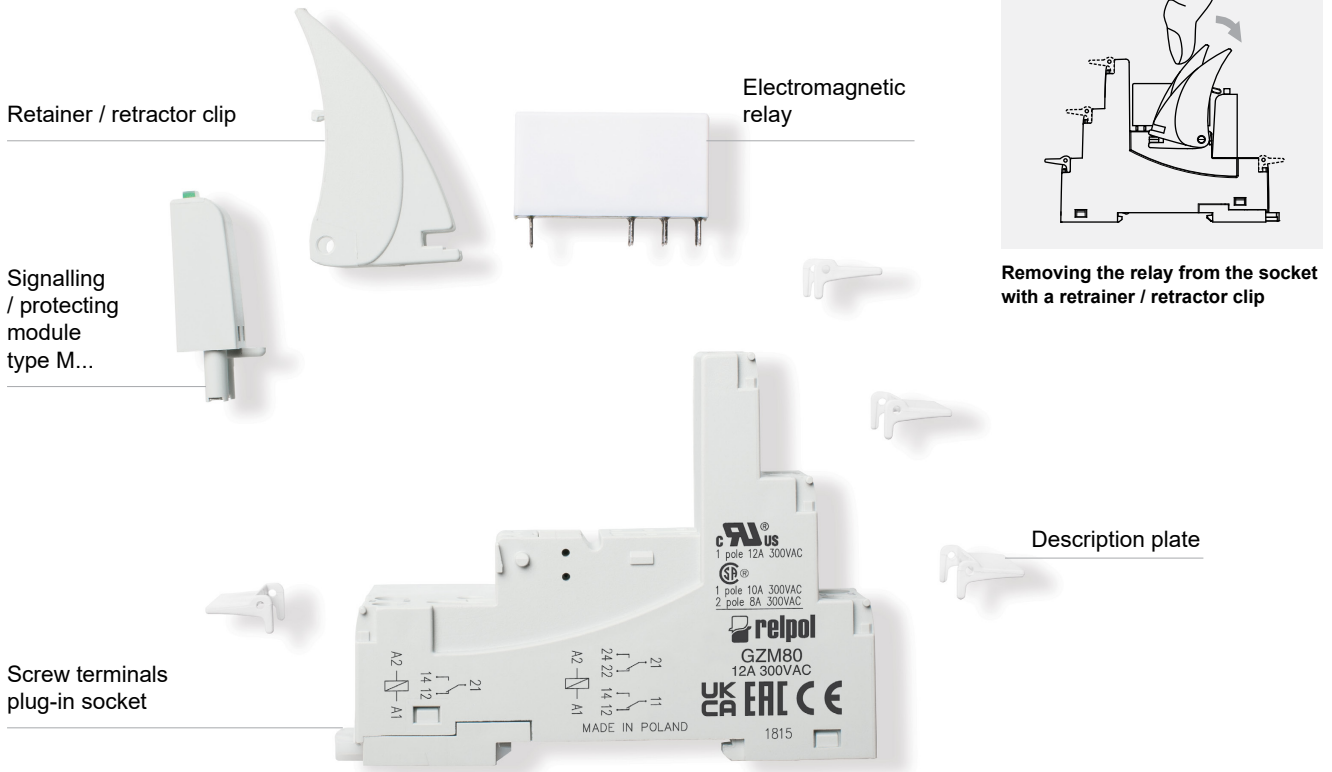
⑨ Sockets with electronic PI6W., 6W.: version codes and selection of relays for sockets can be found in the data sheets of interface relays PIR6W., SIR6W. - see www.repol.com.pl ⑩ Colours of strips: ZG20-1, JB20-1 red; ZG20-2, JB20-2 black; ZG20-3, JB20-3 blue.

PRECAUTIONS:

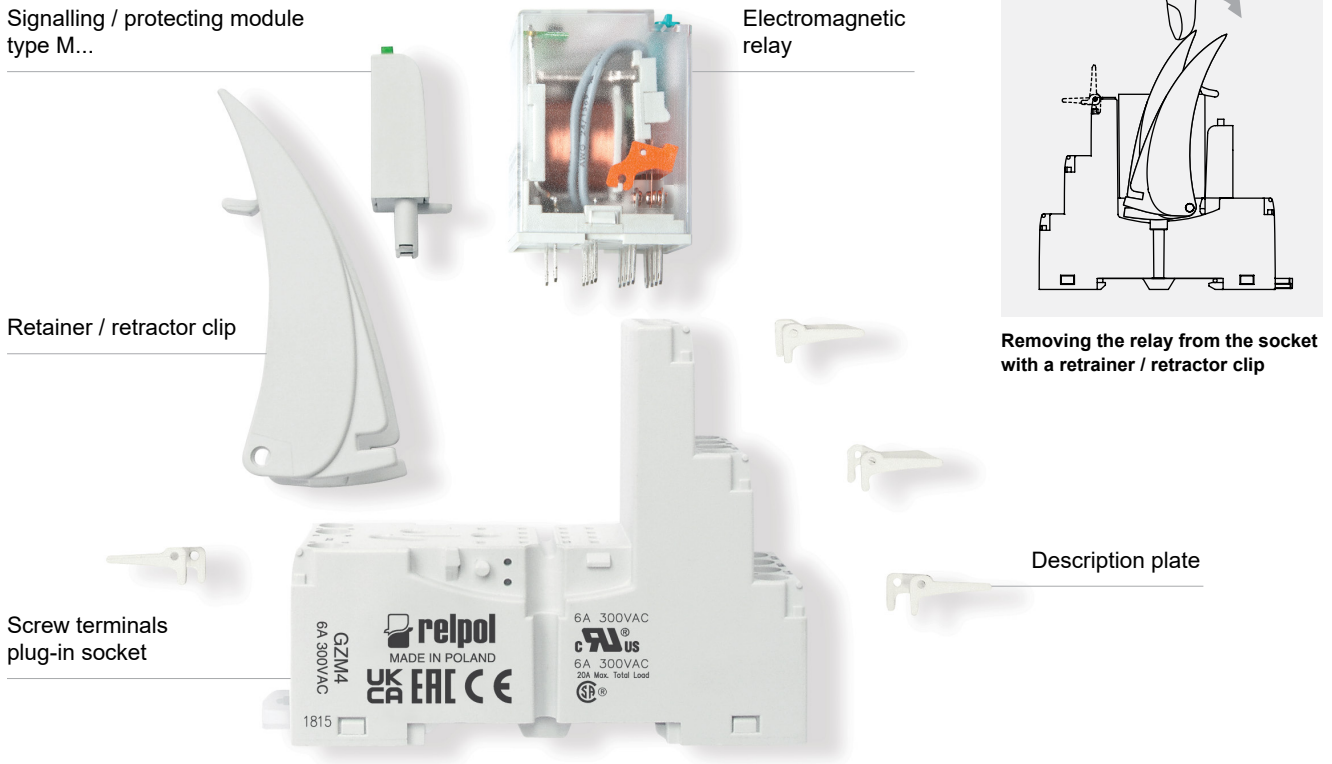
1. Ensure that the parameters of the product described in its specification provide a safety margin for the appropriate operation of the device or system and never use the product in circumstances which exceed the parameters of the product. 2. Never touch any live parts of the device. 3. Ensure that the product has been connected correctly. An incorrect connection may cause malfunction, excessive heating or risk of fire. 4. In case of any risk of any serious material loss or death or injuries of humans or animals, the devices or systems shall be designed so to equip them with double safety system to guarantee their reliable operation.

Mounting and sub-assemblies of the relay and accessories in the socket

■ Miniature relays



■ Miniature industrial relays



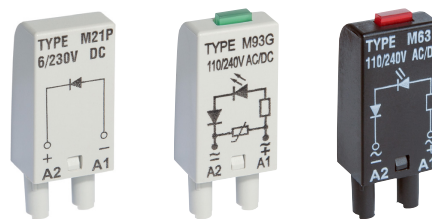
Signalling / protecting modules

For sockets type:

GZT80, GZM80, GZS80, GZP80, GZT92, GZM92, GZS92, ES 32, GZT2, GZM2, GZT3, GZM3, GZT4, GZM4, GZP4

Modules type M... are parallelly connected with relay coil.

Polarization P: -A1/+A2. Polarization N: +A1/-A2.



Modules type M...	Layout	Voltage	Type of module ① ②
Module D (polarization P) It limits overvoltage on DC coils.		6/230 V DC	M21P
Module D (polarization N) It limits overvoltage on DC coils.		6/230 V DC	M21N
Module LD (polarization P) It limits overvoltage on DC coils. Coil energizing indication.		6/24 V DC 24/60 V DC 110/230 V DC	M31R, M31G M32R, M32G M33R, M33G
Module LD (polarization N) It limits overvoltage on DC coils. Coil energizing indication.		6/24 V DC 24/60 V DC 110/230 V DC	M41R, M41G M42R, M42G M43R, M43G
Module RC It protects against EMC disturbance. It limits overvoltage.		6/24 V AC/DC 24/60 V AC/DC 110/240 V AC/DC	M51 M52 M53
Module L Coil energizing indication.		6/24 V AC/DC 24/60 V AC/DC 110/240 V AC/DC	M61R, M61G M62R, M62G M63R, M63G
Module LV It limits overvoltage on AC and DC coils. Coil energizing indication.		6/24 V AC/DC 24/60 V AC/DC 110/240 V AC/DC	M91R, M91G M92R, M92G M93R, M93G
Module V It limits overvoltage on AC coils. No indication.		6/24 V AC 110/130 V AC 220/240 V AC	M71 M72 M73
Module R It limits harmful voltage on AC coils induced in long lines which causes unwanted making of the relay.		110/240 V AC	M103

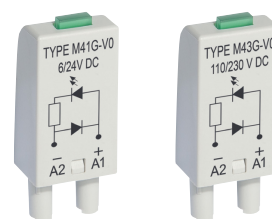
① M...R - LED red, M...G - LED green ② When ordering modules indicate their color: gray or black.

Modules - flammability class V0 (versions for railroad industry)

For sockets type: GZT80-V0, GZT2-V0, GZT3-V0, GZT4-V0

Modules type M...-V0 are parallelly connected with relay coil.

Polarization N: +A1/-A2.



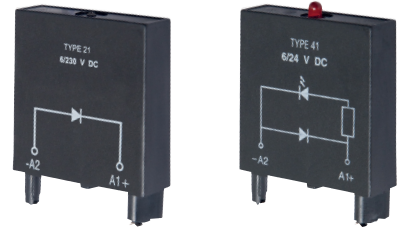
Modules type M...-V0	Layout	Voltage	Type of module
Module LD (polarization N) It limits overvoltage on DC coils. Coil energizing indication.		6/24 V DC 110/230 V DC	M41G-V0 M43G-V0
Module LV It limits overvoltage on AC and DC coils. Coil energizing indication.		110/240 V AC/DC	M93G-V0
Module V It limits overvoltage on AC coils. No indication.		6/24 V AC	M71-V0

Signalling / protecting modules

For sockets type: GZP8, GZP11

Modules type 21, 41 are parallelly connected with relay coil.

Polarization N: +A1/-A2.



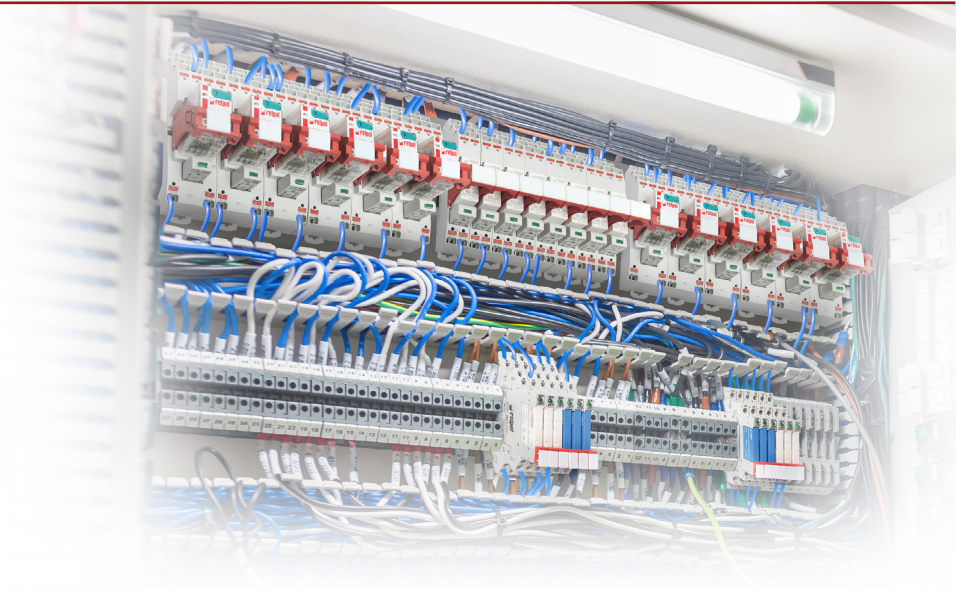
Modules	Layout	Voltage	Type of module
Module D (polarization N) It limits overvoltage on DC coils.		6/230 V DC	Module 21
Module LD (polarization N) It limits overvoltage on DC coils. Coil energizing indication (LED red).		6/24 V DC	Module 41

GZP80, GZP4

Plug-in sockets
with Push-in terminals
(flammability class V-0)

6W, 6WB

Plug-in sockets
(width 6,2 mm)



Interconnection strips ZGGZ80



PI85-...-MS-...
(RM85 + GZM80)

ZGGZ80

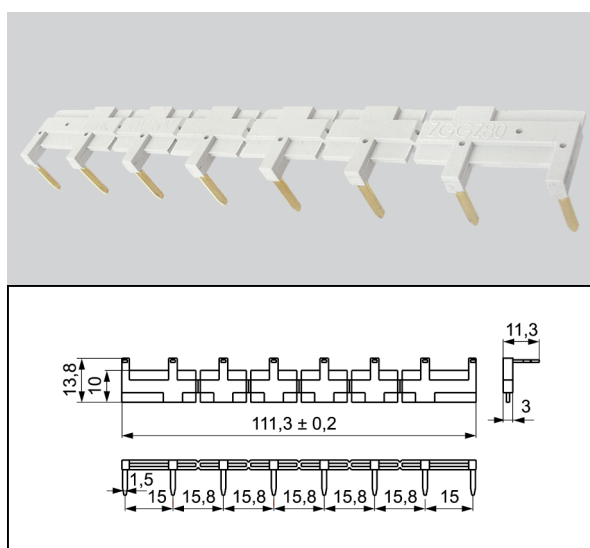
ZGGZ80 for:

Plug-in sockets	Relays for plug-in sockets	Interface relays [Ⓢ]
GZT80	RM84, RM85, RM85 inrush, RM85 105 °C sensitive, RM87L [Ⓢ] , RM87P [Ⓢ] , RM87N [Ⓢ]	PI84-...-TS-... (RM84 + GZT80)
GZM80		PI84-...-MS-... (RM84 + GZM80)
GZS80		PI85-...-TS-... (RM85 + GZT80)
GZT92		(RM85 inrush + GZT80)
GZM92		PI85-...-MS-... (RM85 + GZM80)
GZS92		
ES 32	RM96 1 CO	

[Ⓢ] Interface relay **PI84 (PI85)** is offered as a **set**: electromagnetic relay **RM84 (RM85)** + plug-in socket **GZT80** or **GZM80** + signalling / protecting module type **M...** + retainer / retractor clip **GZT80-0040** + description plate **GZT80-0035**. [Ⓢ] Also versions RM87. sensitive

Interconnection strip ZGGZ80

- designed for the co-operation with plug-in sockets of miniature relays and with interface relays PI84 and PI85, which are equipped with screw terminals; sockets and relays are mounted on 35 mm rail mount acc. to EN 60715,
- bridges common input signals (coil terminals A1 or A2) or output signals - see photo at the top,
- maximum permissible current is 10 A / 250 V AC,
- possibility of connection of 8 sockets or relays,
- colours of strips: **ZGGZ80-1** grey, **ZGGZ80-2** black.



Interconnection strips ZGGZ4



PIR2-...-00L.
(R2N + GZM2)

ZGGZ4

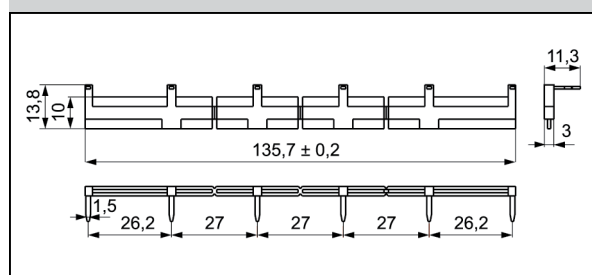
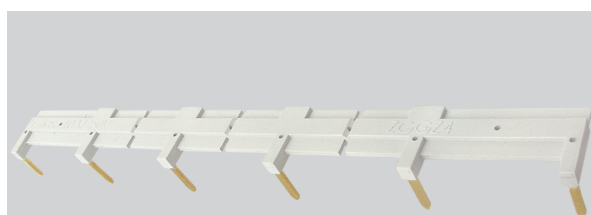
ZGGZ4 for:

Plug-in sockets	Relays for plug-in sockets	Interface relays ^⑥
GZM2	R2N	PIR2-...-00L. (R2N + GZM2)
GZT2		
GZM3	R3N	PIR3-...-00L. (R3N + GZM3)
GZT3		
GZM4	R4N	PIR4-...-00L. (R4N + GZM4)
GZT4		

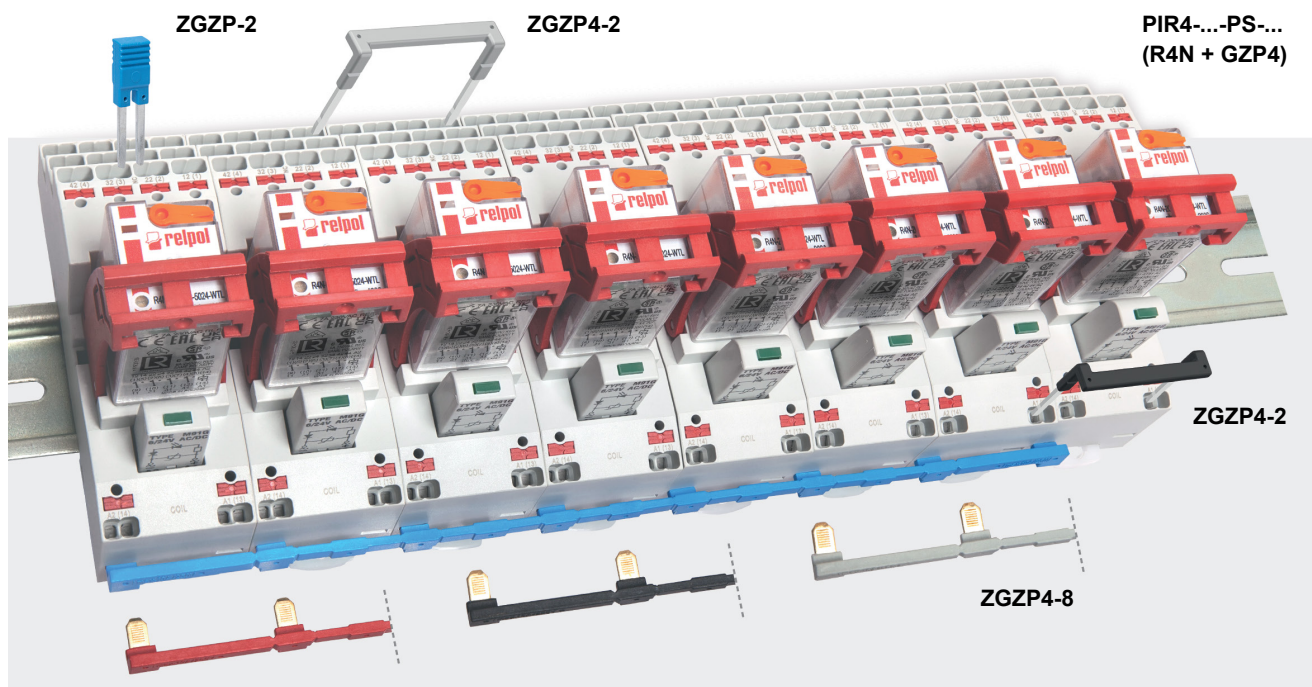
^⑥ Interface relay **PIR2 (PIR3, PIR4)** is offered as a **set**: electromagnetic relay **R2N (R3N, R4N)** + plug-in socket **GZM2 (GZM3, GZM4)** + signalling / protecting module type **M...** + retainer / retractor clip **GZT4-0040** + description plate **GZT4-0035**.

Interconnection strip ZGGZ4

- designed for the co-operation with plug-in sockets of miniature industrial relays and with interface relays PIR2, PIR3 and PIR4, which are equipped with screw terminals; sockets and relays are mounted on 35 mm rail mount acc. to EN 60715,
- bridges common input signals (coil terminals A1 or A2) or output signals - see photo at the top,
- maximum permissible current is 10 A / 250 V AC,
- possibility of connection of 6 sockets or relays,
- colours of strips: **ZGGZ4-1** grey, **ZGGZ4-2** black.




Interconnection strips ZGZP... for sockets GZP4



ZGZP... for:

Plug-in sockets	Relays for plug-in sockets	Interface relays 
GZP4	R2N	PIR2-...-PS-... (R2N + GZP4)
	R4N	PIR4-...-PS-... (R4N + GZP4)

 Interface relay **PIR2 (PIR4)** is offered as a **set**: electromagnetic relay **R2N (R4N)** + plug-in socket **GZP4** + signalling / protecting module type **M...** + retainer / retractor clip **GZP4-0400**.

Interconnection strips ZGZP...

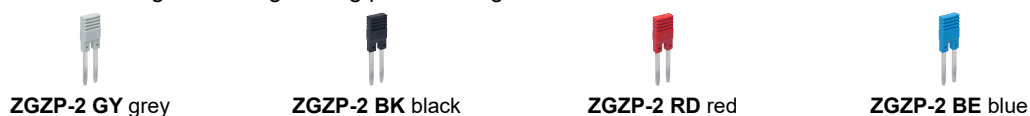
- designed for the co-operation with plug-in sockets of miniature industrial relays and with interface relays PIR2 and PIR4, which are equipped with screw terminals; sockets and relays are mounted on 35 mm rail mount acc. to EN 60715,
- strip **ZGZP4-8** bridges common input signals (coil terminals A1 or A2), maximum permissible current is 10 A / 250 V AC, possibility of connection of 8 sockets or relays,





- strip **ZGZP4-2** bridges common input signals (coil terminals A1 or A2) or output signals, possibility of connection of 2+n sockets or relays,



- jumper **ZGZP-2** bridges the neighboring poles of single socket **GZP4**.







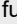



Additional equipment for industrial relays

Industrial relays for plug-in sockets: R2N, R3N, R4N, R15 - 2 CO , R15 - 3 CO  with **WT equipment as standard** (**W** - mechanical indicator + **T** - lockable front test button). **Detailed information** on additional equipment of individual relays can be found in the data sheets on the side of "Ordering codes".

Note:

While the relay operates, the test button of the **T** type becomes heated. In order to push the test button manually, you should first turn the supply voltage off, and wait some time until the button becomes colder (or push the button immediately using a protective glove or an insulated tool). The button shall be pushed smoothly and quickly. The normally open contacts are closed with the button for the time during which the button is pushed. Releasing the button opens the normally open contacts. Normally open contacts may be closed with the blocking function of the button (it shall be turned by 90°). When the button is turned back, the normally open contacts are opened.

Type 	Description	For industrial relays
W	mechanical indicator	R2N, R3N, R4N, (R15 - 2 CO, 3 CO )
T	lockable front test button, orange (AC coils), green (DC coils)	R2N, R3N, R4N, (R15 - 2 CO, 3 CO )
L	light indicator (LED diode), located inside the relay	R2N, R3N, R4N, (R15 - 2 CO, 3 CO, 4 CO ) RUC, RUC-M
D	surge suppression element (diode) - only for DC coils	R2N, R3N, R4N, (R15 - 2 CO, 3 CO, 4 CO )
V	surge suppression element (varistor) - only for AC coils	(R15 - 2 CO, 3 CO )
K	test button without block function, orange (AC coils), green (DC coils)	(R15 - 4 CO ) RUC

 Available combinations:


WT, WTL, WTD, WTLD - in relays R2N, R3N, R4N for plug-in sockets

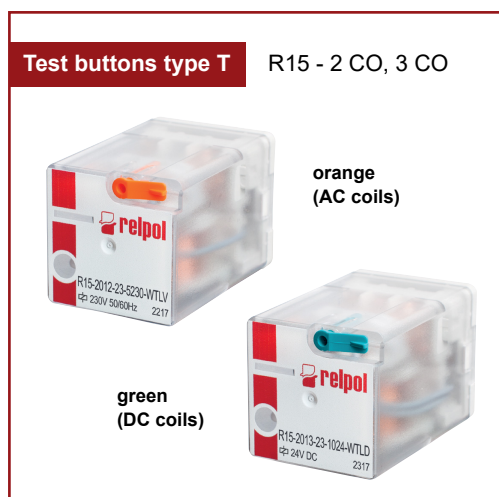
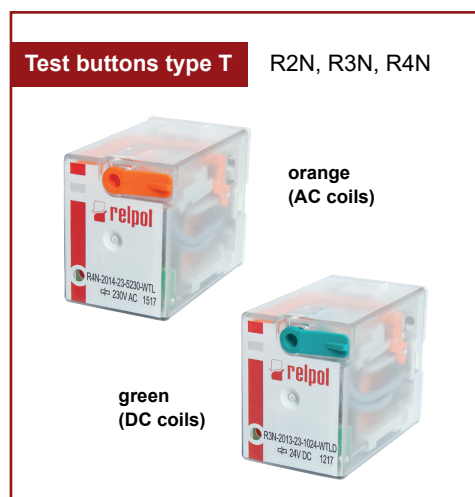
WT, WTL, WTD, WTLD, WTV, WTLV - in relays R15 - 2 CO, 3 CO for plug-in sockets

K, L, D, KL, KD, LD, KLD - in relays R15 - 4 CO for plug-in sockets


K, L, KL - in relays RUC

L - in relays RUC-M


 Voltage versions, in covers



Test buttons (no latching) and plugs

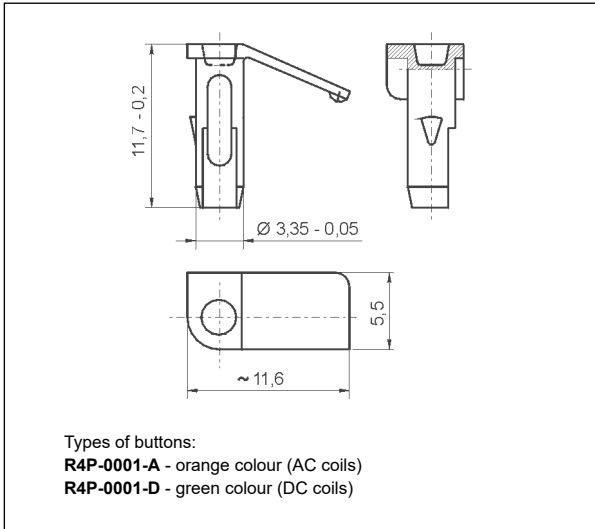
Test buttons (no latching) are recommended for R2N...WT, R3N...WT, R4N...WT, R15...WT 2 CO, R15...WT 3 CO relays - **for applications that do not allow permanent contact latching**. By manual operation (pressing the button) relay contacts can get switched for as long time as long the button is pressed. Contacts return to initial position as soon as pressure is released from the button. Those operations can be done while the coil is deenergized .

Button **R4P-0001** or **R15-M404** can be easily inserted by the Customer after removal of button type **T** (see Fig. 2). Button type **T** can be removed with screwdriver as shown on Fig. 1.

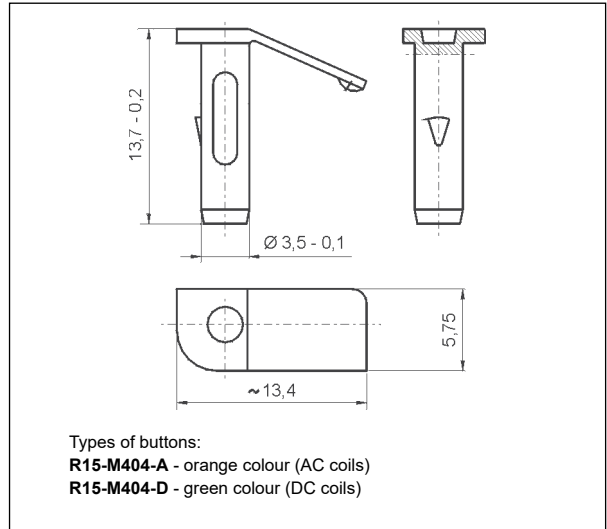
 While the relay operates, the test button becomes heated. In order to push the test button manually, you should first turn the supply voltage off, and wait some time until the button becomes colder (or push the button immediately using a protective glove or an insulated tool). The button shall be pushed smoothly and quickly.



Dimensions - test button R4P-0001 for R2N...WT, R3N...WT, R4N...WT

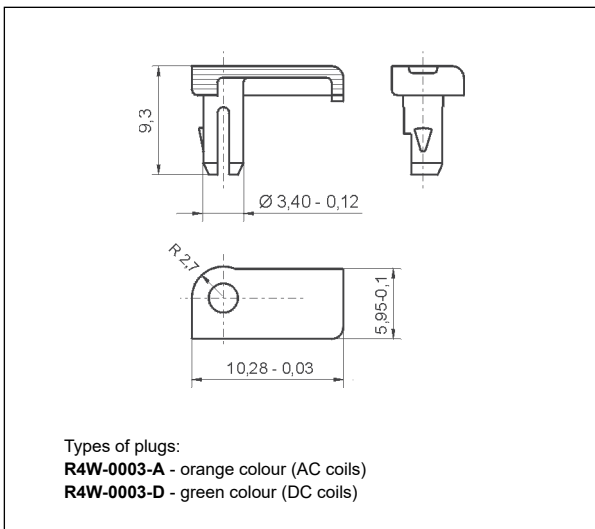


Dimensions - test button R15-M404 for R15...WT 2 CO, R15...WT 3 CO



Plugs R4W-0003 or **R15-M203** can substitute button type **T** if **manual operation (latching and testing) is not allowed**. Changing button type **T** for plug can be done by Customer themselves in the same way as changing button type **T** for button (no latching).

Dimensions - plug R4W-0003 for R2N...WT, R3N...WT, R4N...WT



Dimensions - plug R15-M203 for R15...WT 2 CO, R15...WT 3 CO

